



<https://www.commercialfridgefreezer.com.au/tecnodom-by-fhe-tdmr-e-serie-mr-corner-deli-display-w-storage-castors/>

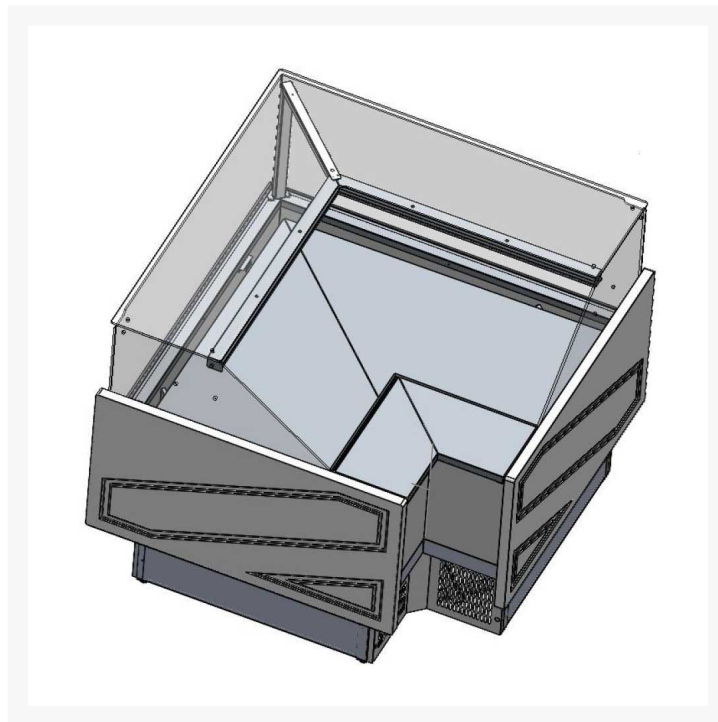
Tecnodom by FHE TDMR-E Series MR Corner Deli Display w/ Storage & Castors

\$13,591.50 +GST

[View more Product Details](#)

[Add to Cart](#)

[Request a Quote](#)



- **Practical choice.** Compact, Powerful & Heavy Duty! These high quality kitchen equipment provide an excellent foundation for any kitchen.
- **Reliable and efficient.** This particular Corner Deli Display is far more compact and robust compared to most in the market. It is made up of a front opening tempered glass for easy cleaning, and a flat panoramic tempered top glass.
- **Great value for money.** Get the longevity you need for the price you want with this unit's low energy consumption!
- **Hygienic & easy to clean.** Our products meet the appropriate Health Department requirements, and are easy to clean, with simple assembly and remarkable service.

Description

Tecnodom by FHE TDMR-E Serie MR Corner Deli Display w/ Storage & Castors

Keep all your poultry and meat display in their finest conditions with our Tecnodom Deli Display units! Made up of front

<https://www.commercialfridgefreezer.com.au/tecnodom-by-fhe-tdmr-e-serie-mr-corner-deli-display-w-storage-castors/>

Commercial Fridge and Freezer Sales Australia. All product images are provided for illustration purposes only. All specifications are subject to manufacturer changes without notice, so please check on the manufacturer's website for current product data.

opening tempered glass for easy cleaning, with its flat panoramic tempered top glass- they're sure to highlight your products and showcase them to your buyers sleek, clean and fresh.

This is a fast selling purchase for any prospective restaurant or cafe owner who operates a medium to large establishment.

Key Features:

- 50mm high density CFC and HCFC free insulation
- Low energy consumption
- Front opening tempered glass for easy cleaning
- Flat panoramic tempered top glass
- Rear sliding door
- High-impact LED lighting
- SUS304 Stainless steel working surface
- Automatic evaporating water tray and electric defrosting
- 0-4 degrees perfect for meat storage
- Extra-large 900 depth storage surface
- Large rear cold storage
- Corner unit available upon request

Additional Information:

- Display Surface: 1.54 m²
- Temperature Range: 0°C-4°C
- Ambient Temperature: 25°C/60RH

Warranty: 2 Years Parts & Labour Plus 2 Years Parts Only Warranty When Products Registered Within 14 Days Of Invoice

Additional Information

Brand	Tecnodom
Model	TDMR-E
Warranty	2 Years on Parts and Labour
External Dimensions (mm)	1468mm (W) x 1468mm (D) x 1230mm (H)
Power Information	Power supply = 240V; 1.54kW; 10A
Packaged Dimensions (mm)	1295mm (W) x 1110mm (D) x 1620mm (H)
Manufacturer's Suggested Retail Price	\$15,990.00