



<https://www.commercialfridgefreezer.com.au/fagor-stainless-steel-rolling-table-for-2-baskets-mr2c/>

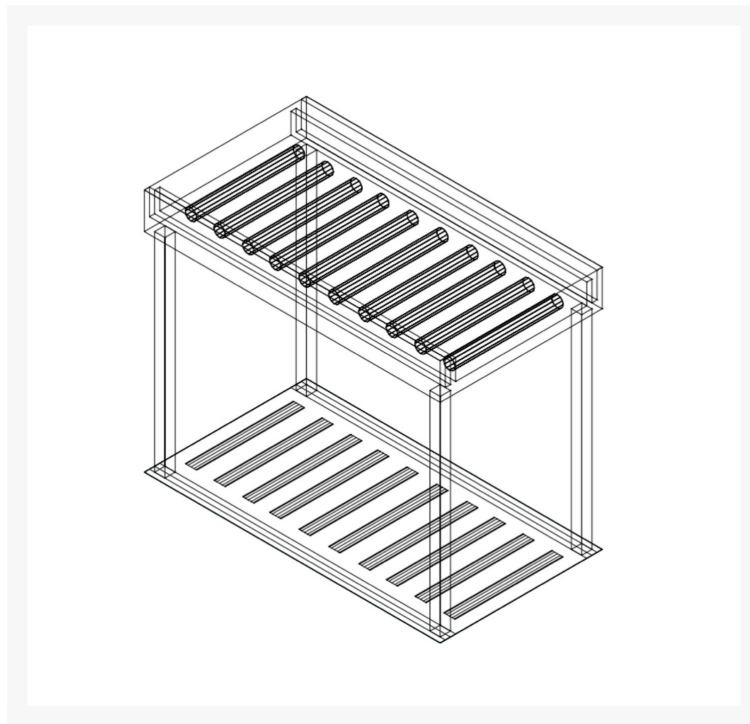
Fagor Stainless Steel Rolling Table for 2 Baskets MR2C

\$7,042.50 +GST

[View more Product Details](#)

[Add to Cart](#)

[Request a Quote](#)



- **Suitable for FAGOR CCO RACK CONVEYER DISHWASHERS**
- **Practical choice.** Here's a wide range of Stainless Steel Rolling Tables to provide you solutions for your every need and space!
- **Reliable and efficient.** This remarkable unit offers quick installation and easy connection to the dishwasher
- **Great value for money.** Get the longevity you need for the price you want with this rolling table's stainless steel construction!
- **Hygienic & easy to clean.** Our products meet the appropriate Health Department requirements, and are easy to clean, with simple assembly and remarkable service. Its deep anti-drip profiles are completely folded with lower edge for safe and easy cleaning.

Description

Fagor Stainless Steel Rolling Table for 2 Baskets MR2C

<https://www.commercialfridgefreezer.com.au/fagor-stainless-steel-rolling-table-for-2-baskets-mr2c/>

Commercial Fridge and Freezer Sales Australia. All product images are provided for illustration purposes only. All specifications are subject to manufacturer changes without notice, so please check on the manufacturer's website for current product data.

Robust, reliable and of great value, our multipurpose kitchen equipment provides a superior solution for every need and space! Designed for 500mm x 500mm dishwashing baskets, this Stainless Steel Rolling Table offers quick installation and easy connection to the dishwasher.

This is a fast selling purchase for any prospective restaurant or cafe owner who operates a medium to large establishment.

Key Features:

- Wide range of entry / exit and prewashing tables
- Designed for 500 x 500 mm dishwashing baskets
- Quick installation and easy connection to the dishwasher
- No holes on the surface
- AISI-304 stainless steel (18/10)
- 40mm x 40mm square tubular adjustable legs in AISI-304 stainless
- Deep anti-drip profiles completely folded with lower edge for safe and easy cleaning
- Automatic movement with the conveyor exit

Additional information:

- Capacity (Baskets): 2
- Material: Stainless Steel

Warranty: 1 Years Parts only Warranty

Additional Information

Brand	Fagor
Model	MR2C
Warranty	2 Years Parts and Labour + 2 Years Parts only Warranty with Product Registration
External Dimensions (mm)	1150mm (W) x 630mm (D) x 870mm (H)
Packaged Dimensions (mm)	720mm (W) x 1230mm (D) x 1050mm (H)
Manufacturer's Suggested Retail Price	\$9,390.00