



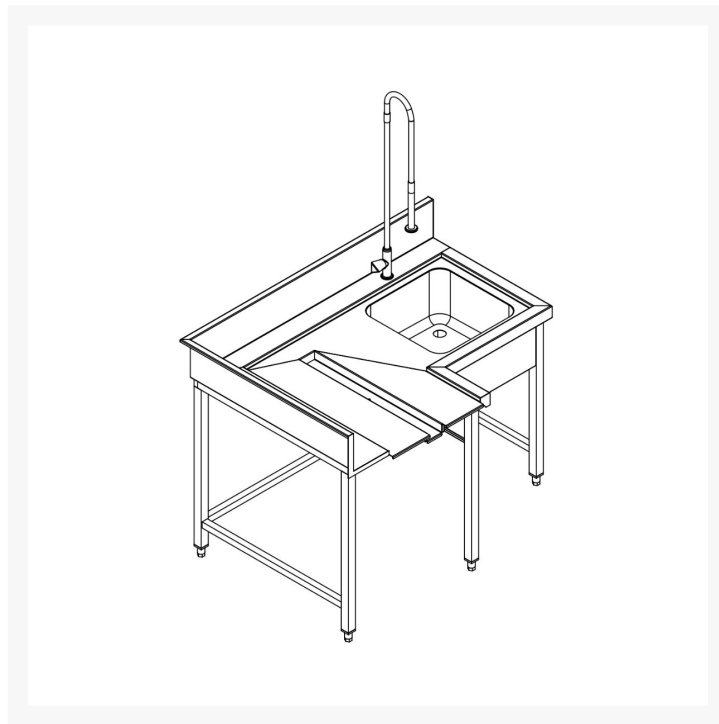
# Fagor Pre-Rinsing Sink Bench w/ Introductor of Baskets MCFD-1000D

**\$11,992.50** +GST

[View more Product Details](#)

[Add to Cart](#)

[Request a Quote](#)



- **Prewashing table with introductor of baskets in corner to be placed at the left**
- **Suitable for FAGOR CCO RACK CONVEYER DISHWASHERS**
- **Practical choice.** Here's a wide range of entry/exit and prewashing tables, to provide you solutions for every need and space!
- **Reliable and efficient.** This particular Pre-Rinsing Sink Bench has as a quick installation and easy connection to the dishwasher
- **Great value for money.** Get the longevity you need for the price you want with this unit's deep anti-drip profiles completely folded with lower edge for safe and easy cleaning.
- **Hygienic & easy to clean.** Our products meet the appropriate Health Department requirements, and are easy to clean, with simple assembly and remarkable service.

## Description

---

### Fagor Pre-Rinsing Sink Bench w/ Introductor of Baskets MCFD-1000ID

Robust, reliable and of great value, our multipurpose kitchen equipment provides a superior solution for every need and space! Designed for 500mm x 500mm dishwashing baskets, this Pre-Rinsing Sink Bench offers quick installation and easy connection to the dishwasher.

This is a fast selling purchase for any prospective restaurant or cafe owner who operates a medium to large establishment.

#### Key Features:

- Prewashing table with introductor of baskets in corner to be placed at the left
- Suitable for FAGOR CCO RACK CONVEYER DISHWASHERS
- Wide range of entry/exit and prewashing tables, to provide solutions for every need and space
- Designed for 500mm x 500mm dishwashing baskets
- Quick installation and easy connection to the dishwasher
- No holes on the surface
- Constructed in AISI-304 stainless steel (18/10)
- 40mm x 40mm square tubular legs in AISI-304 stainless, adjustable in height
- Deep anti-drip profiles completely folded with lower edge for safe and easy cleaning
- To be placed on the right
- Angle table prepared to connect the basket loader to the dishwasher
- Element to introduce the baskets with the movement of the advancement system of the conveyor
- Flexible shower tap

#### Additional information:

- Orientation: To be placed at the LEFT
- Rear Guard: 200mm
- Sink 450mm x 450mm
- Sink Area: 1,400mm L x 700 mm W
- Loader Area: 950mm L x 800mm W
- Water inlet diameter: 3/4
- Drain 1 diameter: 30X25

#### Warranty: 1 Years Parts only Warranty

## Additional Information

---

Brand	Fagor
Model	MCFD-1000D
Warranty	2 Years Parts and Labour + 2 Years Parts only Warranty with Product Registration
External Dimensions (mm)	1450mm (W) x 1000mm (D) x 900mm (H)
Packaged Dimensions (mm)	1510mm (W) x 800mm (D) x 1230mm (H)
Manufacturer's Suggested Retail Price	\$15,990.00