



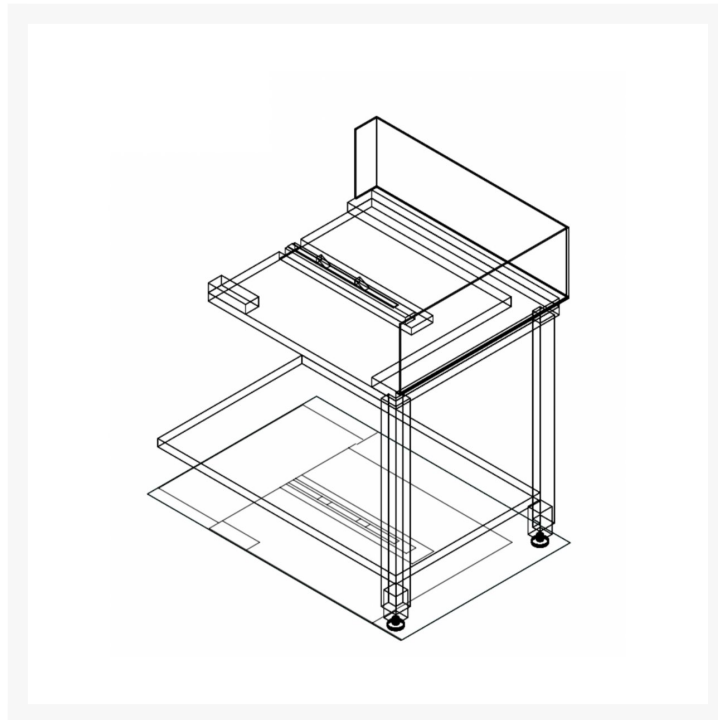
Fagor Stainless Steel Corner Bench w/ Introduction of Baskets by the Right Side E-90D

\$2,017.50 +GST

[View more Product Details](#)

[Add to Cart](#)

[Request a Quote](#)



- **Orientation: Right Side**
- **Suitable for FAGOR CCO RACK CONVEYER DISHWASHERS**
- **Practical choice.** Here's a wide range of Stainless Steel Corner Bench, to provide you solutions for your every need and space!
- **Reliable and efficient.** This remarkable unit offers quick installation and easy connection to the dishwasher
- **Great value for money.** Get the longevity you need for the price you want with this corner bench's stainless steel construction!
- **Hygienic & easy to clean.** Our products meet the appropriate Health Department requirements, and are easy to clean, with simple assembly and remarkable service. Its deep anti-drip profiles are completely folded with lower edge for safe and easy cleaning.

Description

Fagor Stainless Steel Corner Bench w/ Introduction of Baskets by the Right Side E-90D

Robust, reliable and of great value, our multipurpose kitchen equipment provides a superior solution for every need and space! Designed for 500mm x 500mm dishwashing baskets, this Stainless Steel Corner Bench offers quick installation and easy connection to the dishwasher.

This is a fast selling purchase for any prospective restaurant or cafe owner who operates a medium to large establishment.

Key Features:

- Introduce baskets with advancement conveyor system
- Introducer of baskets 90° by the right side with anti-splash at the entry
- Wide range of entry/exit and prewashing tables
- Designed for 500mm x 500mm dishwashing baskets
- Quick installation and easy connection to the dishwasher
- No holes on the surface
- AISI-304 stainless steel (18/10)
- 40mm x 40mm square tubular adjustable legs in AISI-304 stainless steel
- Deep anti-drip profiles completely folded with lower edge for safe and easy cleaning
- Element for coupling at an angle to the inlet of the dishwasher drag, and insert the baskets automatically
- The drag nails are activated by the drag mechanism of the dishwasher
- Provided with lower shelf

Additional information:

- Orientation: Right Side
- Material: Stainless Steel

Warranty: 1 Years Parts only Warranty

Additional Information

Brand	Fagor
Model	E-90D
Warranty	2 Years Parts and Labour + 2 Years Parts only Warranty with Product Registration
External Dimensions (mm)	790mm (W) x 690mm (D) x 850mm (H)
Packaged Dimensions (mm)	2150mm (W) x 1465mm (D) x 800mm (H)
Manufacturer's Suggested Retail Price	\$2,690.00