



<https://www.commercialfridgefreezer.com.au/f-e-d-sc-7-1800r-h-cabinet-with-right-sink/>

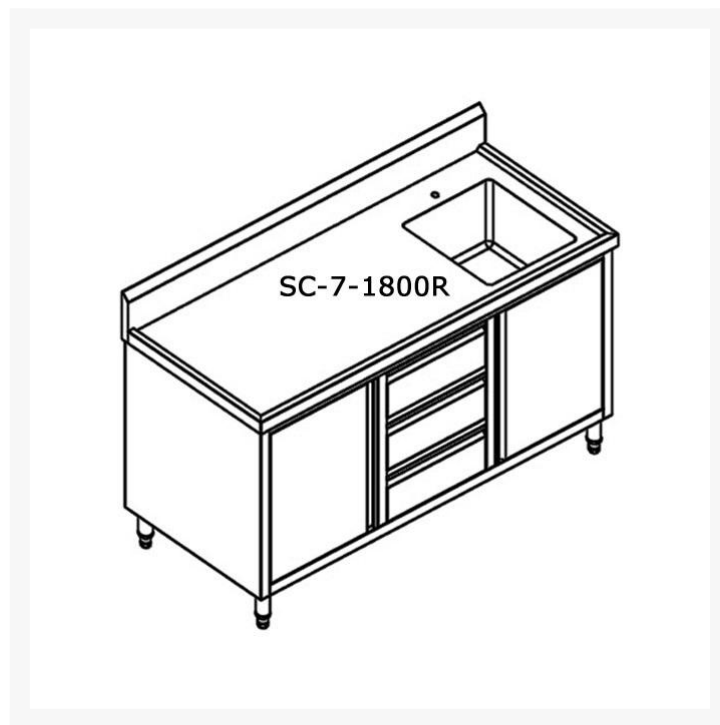
Modular Systems SC-7-1800R-H Cabinet with Right Sink

\$2,159.00 +GST

[View more Product Details](#)

[Add to Cart](#)

[Request a Quote](#)



SC-7-1800R-H Cabinet with Right Sink is a stainless steel workbench cabinet ideal for commercial kitchen. It includes 3 drawers, punched bowls, 150mm splashback. Top & frame built from SUS304 grade hairline finished stainless steel. Fitted with all welded joints.

Description

Modular Systems SC-7-1800R-H Cabinet with Right Sink

- Great for open and commercial kitchens
- Top & frame built from SUS304 grade hairline finished stainless steel
- Allows customer to keep kitchens tidy and clutter free
- 150mm splashback

<https://www.commercialfridgefreezer.com.au/f-e-d-sc-7-1800r-h-cabinet-with-right-sink/>

Commercial Fridge and Freezer Sales Australia. All product images are provided for illustration purposes only. All specifications are subject to manufacturer changes without notice, so please check on the manufacturer's website for current product data.

- 900mm (H) x 1800mm (W) x 700mm (D) dimensions
- 90mm diameter drain hole
- This kitchen tidy cabinet pre-assembled with all welded joints
- One right sink included
- 0.9mm thick doors & drawers built with stainless steel
- 300mm (H) x 450mm (W) x 450mm (D) punched bowls

Additional Information

Country of Manufacture	Asia
External Colour	Stainless Steel, Hairline Finish
Model	SC-7-1800R-H
Brand	Modular Systems
Warranty	2 Years Parts Only
Warranty Registration	https://www.foodequipment.com.au/product-registration
Leg / Caster information	Four legs
Other Details	Stainless Steel
Packaged Dimensions (mm)	800mm (W) x 2100mm (D) x 1100mm (H)
About the Product	F.E.D SC-7-1800R-H Stainless Steel Three Drawers cabinet with right sink is a commercial quality cabinet we sell for the best price. Buy F.E.D SC-7-1800R-H solid door cabinet and stainless steel kitchen modular systems with Australia wide delivery.
Related Models	F.E.D SC-7-1800L-H CABINET WITH LEFT SINK
Bowl Size (mm)	300mm (H) x 450mm (W) x 450mm (D)
Frame Tube	1.2
External Dimensions (mm)	1800mm (W) x 700mm (D) x 1050mm (H)
Manufacturer's Suggested Retail Price	\$2,540.00