

FEATURES

- *Stainless steel interior and exterior with galvanised back panel*
- *Gas: R134A for Fridges*
- *Insulation Foam: C5H10,ODP, Zero emissions*
- *43°C ambient working temperature*
- *Come with wired mid shelf*
- *Castors as standard*
- *All European parts, Aspera compressor, EBM fan motor*
- *Carel or Dixell digital controller*
- *Fan-forced cooling*
- *Can fit in ESL3884 / ESL3883 (optional)*
- *Allow 100 mm clearance for air ventilation*

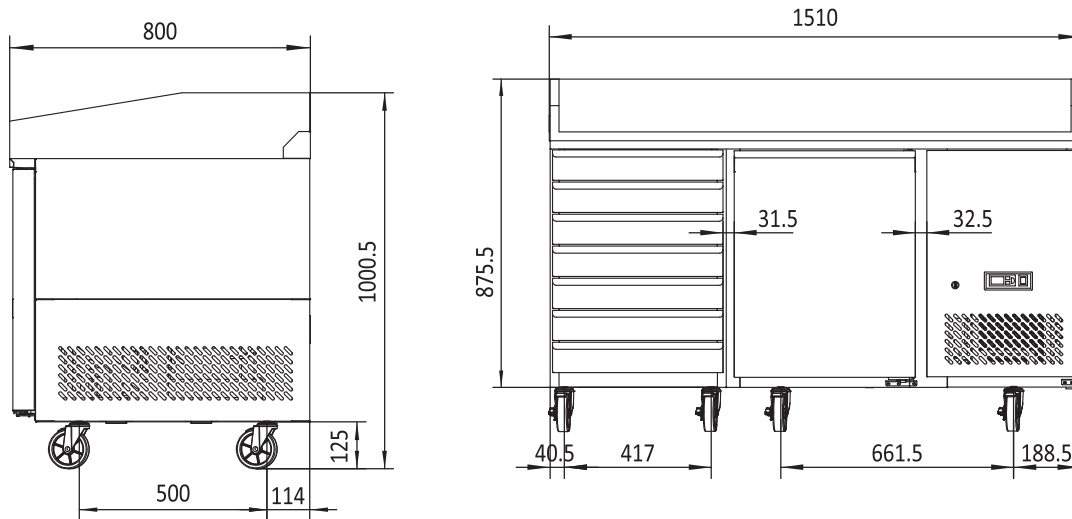


INFORMATION	EPF3490	EPF3495
Capacity	180L	300L
Power	330W	330W
Voltage	220~240V/50Hz	220~240V/50Hz
Working Temp	-2°C~+8°C	-2°C~+8°C
Ambient Temp	43°C	43°C
Dimensions(mm)	W1510 x D800 x H1000.5,246kg	W1510 x D800 x H1000.5,209kg
Packaging Dimensions(mm)	W1564 x D854 x H1051,292kg	W1564 x D854 x H1051,255kg

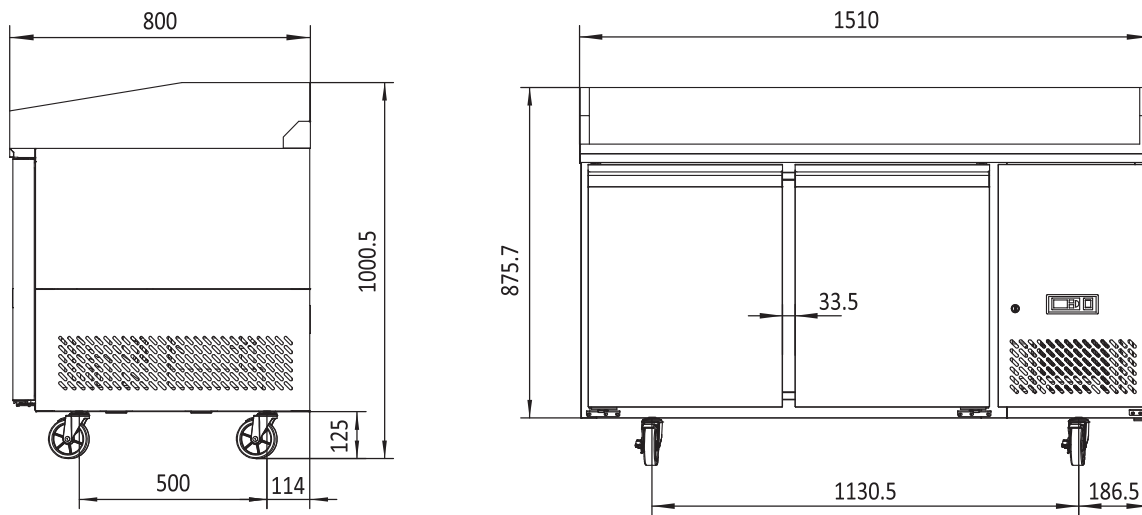


2 YEARS WARRANTY ON ALL PARTS & LABOUR
* EXTRA 2 YEARS WARRANTY ON PARTS WHEN YOU REGISTER WITH US ONLINE

EPF3490



EPF3495



2 YEARS WARRANTY ON ALL PARTS & LABOUR
 * EXTRA 2 YEARS WARRANTY ON PARTS WHEN YOU REGISTER WITH US ONLINE