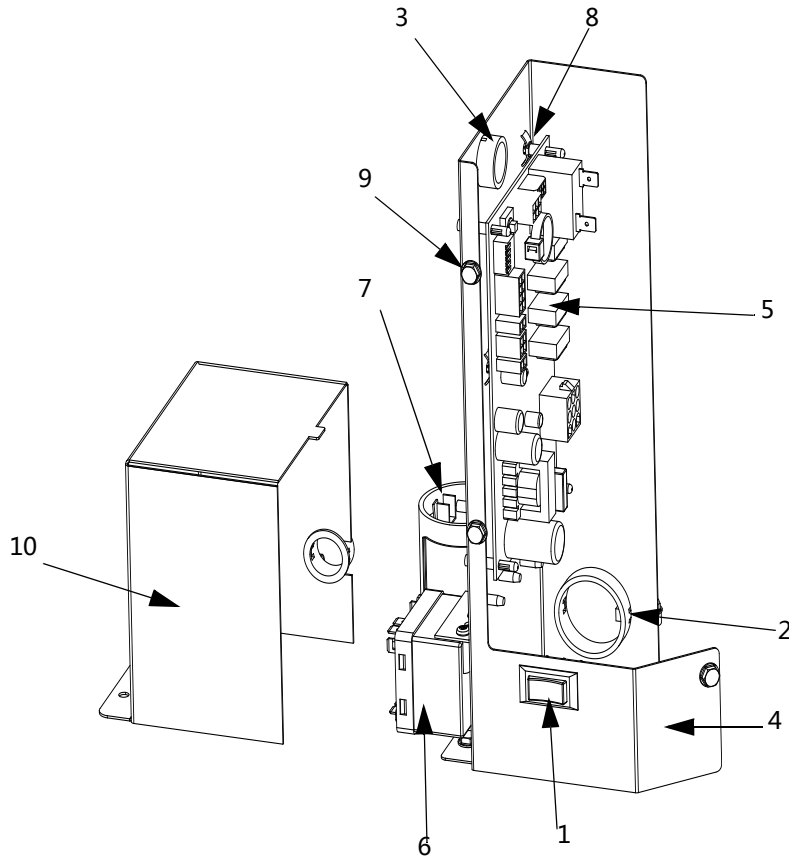




## **Ice Machine Parts List for Series UG080 Models**

**UG080A**

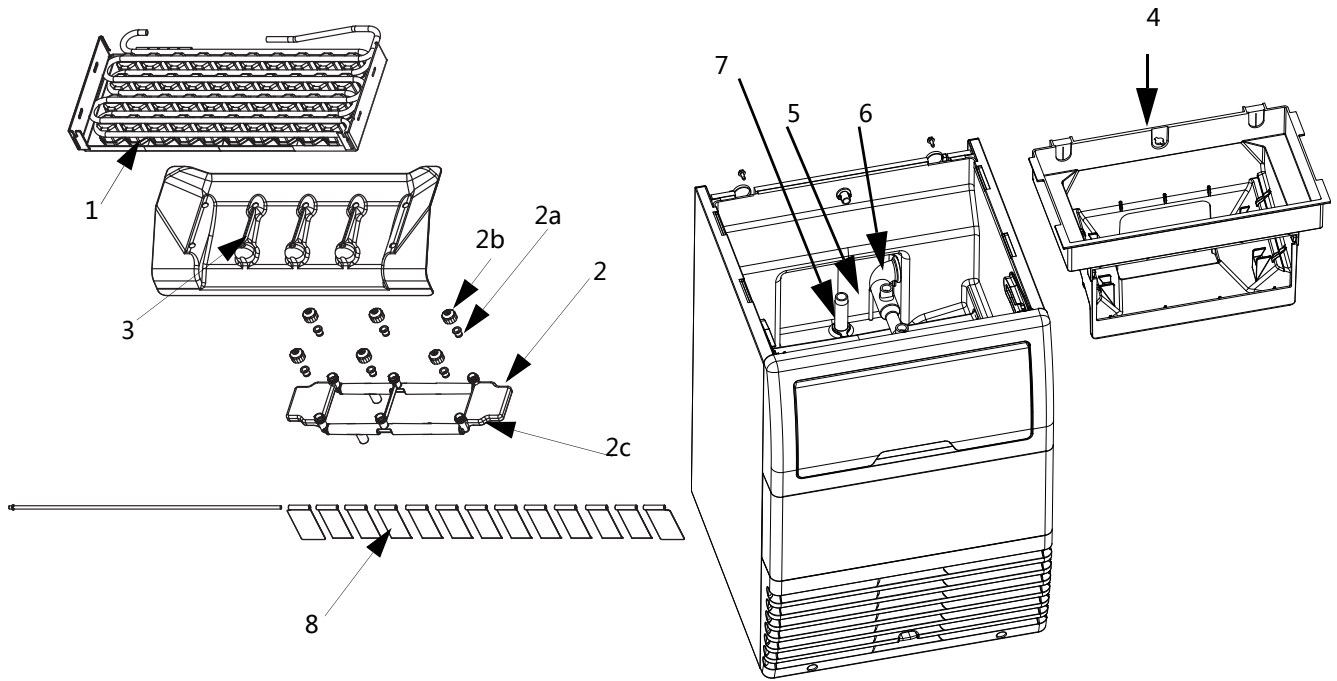
# UG80 CONTROL BOX



## DESCRIPTION

	<b>PART NO.</b>
1 Toggle Switch .....	2301513
2 Bushing,SB1500-21/2240 .....	2500133
3 Bushing, SB875-11/2126 .....	2501401
4 <b>Control Box</b>	
a. 230V/50-60Hz. ....	040002567
5 Control Board .....	040002984
6 Start Relay .....	000002136
7 Start Capacitor .....	000000022
<b>Miscellaneous – Brackets, Screws, etc.</b>	
8 Control Board Mounting Supports .....	4302253
9 Screw .....	5202323
10 Relay Cover .....	040003500
11 <b>Control Box cover( Not Shown)</b>	
a. 230V/50-60Hz. ....	040002568
12 <b>Wiring Harness, Main</b>	
a. 230V/50-60Hz, .....	040003441
13 Wiring Harness, Toggle Switch. ....	040003438
14 <b>Jump Wire ( Not Shown)</b>	
a. 230V/50,UG080A .....	040003065
b. 230V/60,UG080A .....	040003435

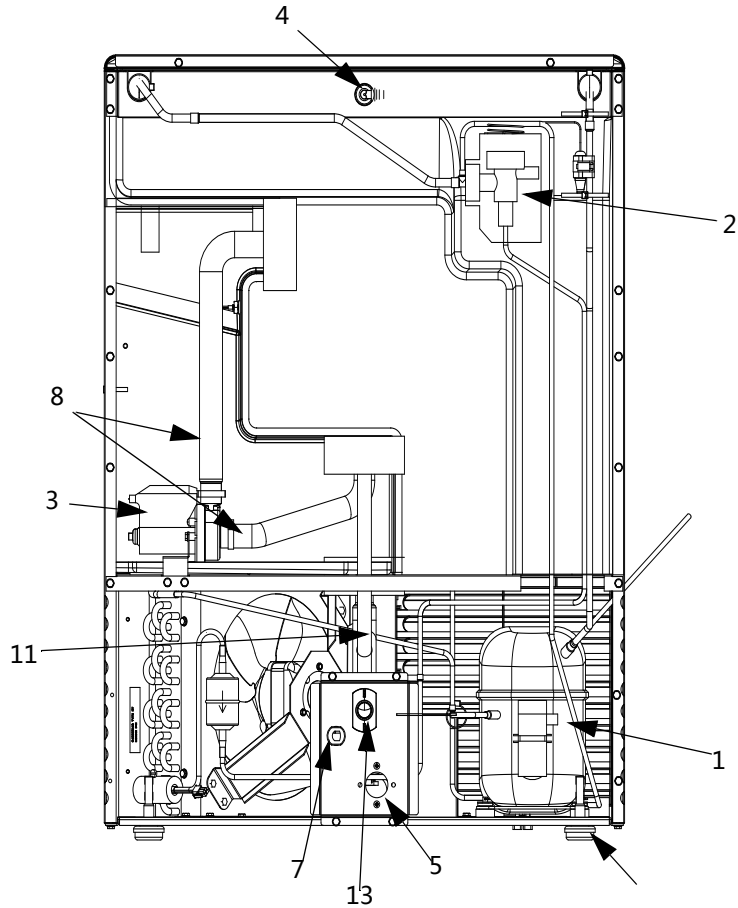
# UG80 EVAPORATOR ASSEMBLY



**DESCRIPTION**

	<b>DESCRIPTION</b>	<b>PART NO.</b>
1	<b>Evaporator Assembly</b>	
	a. Standard .....	3006449
2	<b>Spray Bar Assembly</b> .....	040004368
	a. Insert (each) .....	4008779
	b. Cap (each) .....	4008769
	c. O-ring .....	5004639
3	<b>Ice Ramp</b> .....	040003478
4	<b>Evaporator Housing Assembly</b> .....	040003591
5	Water Level NTC Thermistor .....	040003055
6	Tubing (Water Pump Out) .....	000000959
7	<b>Standpipe Assembly</b>	
	a. Standpipe .....	4015193
	b. Plug .....	040000096
8	<b>Curtain Assembly(6 pieces)</b>	
	a. Paddle .....	040003482
	b. Rod .....	040003610
	c. Cover.evap/Hanger .....	040003483
<b>Miscellaneous – Brackets, Screws, etc.</b>		
9	Spray Bar Clamp .....	5650649
10	Water Inlet Diverter .....	6072481

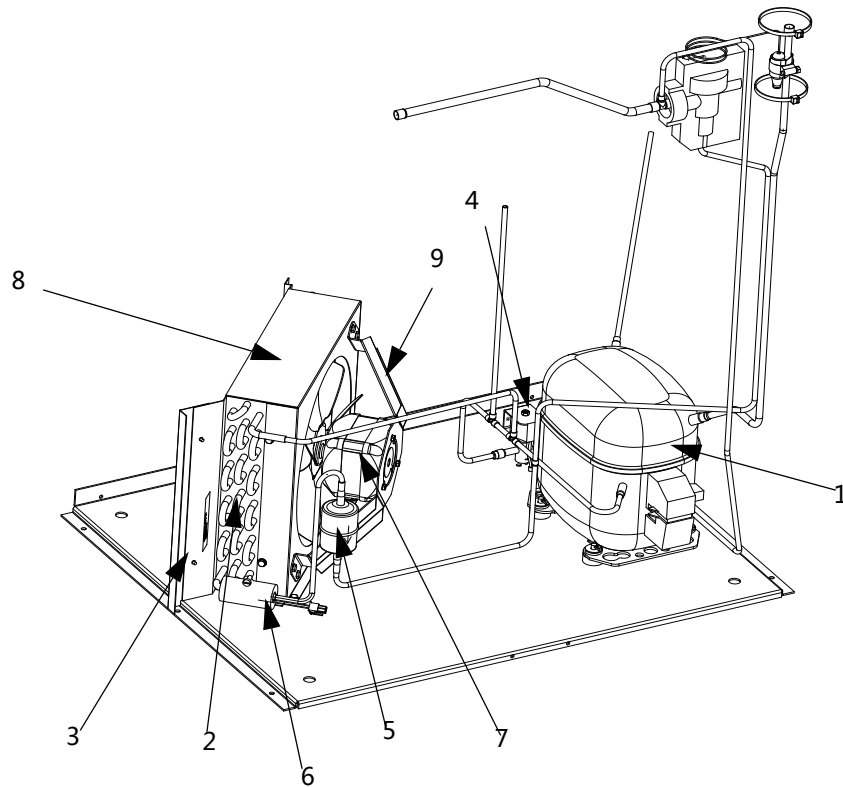
# UG80 REFRIGERATION COMPARTMENT – COMMON PARTS



## DESCRIPTION

			<b>PART NO.</b>
<b>1</b>	<b>Compressor</b>		
	a. Compressor 230,50/60,1 Danfoss .....		000001698
<b>2</b>	<b>Expansion Valve</b> .....		7603473
<b>3</b>	<b>Water Pump</b>		
	a. 220V/50Hz .....		000000661
	b. 220V/60Hz .....		000001034
	c. Bracket .....		040004226
<b>4</b>	<b>Evaporator Water Inlet Fitting</b> .....		040004041
<b>5</b>	<b>Water Inlet Valve</b>		
	a. 230/50-60Hz UG065A .....		000006441
	b. Mylar Shield .....		000000827
<b>6</b>	<b>Power Cord</b>		
	a. 230/50/1 .....		040001284
	b. 230/60/1 .....		040001283
<b>7</b>	<b>Terminal Block</b> .....		2512043
	<b>Miscellaneous – Brackets, Screws, etc.</b>		
<b>8</b>	<b>Vinyl Tubing</b>		
	a. Pump to Spray Bar .....		000000959
	b. Sump to Pump .....		000000960
	c. Clamp .....		5000493
<b>9</b>	<b>Water Inlet Tubing .375 ID</b>		
	a. UG080A(not shown) .....		040002557
<b>10</b>	<b>Water Supply Hose (not shown)</b> .....		040001088
<b>11</b>	<b>Bin Drain Tube</b> .....		040002549
<b>12</b>	<b>Drain Line Clamp</b> .....		5650733
<b>13</b>	<b>Drain Fitting Barbed</b> .....		4011289
<b>14</b>	<b>Screw 7 x 7 mm (mounts water inlet valve)</b> .....		5004429
<b>15</b>	<b>Screw 5 x 13 mm (mounts water pump)</b> .....		5005023
<b>16</b>	<b>Leg</b> .....		5005253

# UG80 REFRIGERATION COMPARTMENT – AIR-COOLED



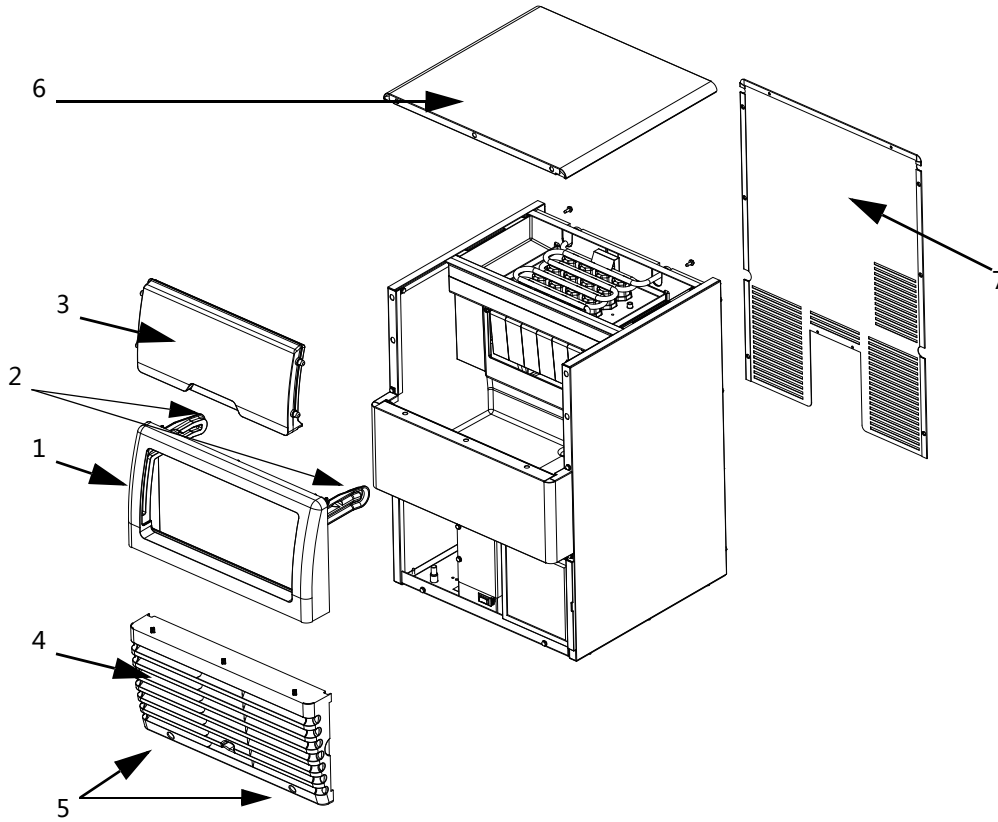
## DESCRIPTION

DESCRIPTION	PART NO.
1 Compressor (Refer to COMMON PARTS Page) .....	Page -4
2 Air Condenser .....	040002548
3 Baffle - Air Condenser .....	040003711
4 <b>Hot Gas Valve</b>	
a. Hot Gas Valve 230/50-60/1 Ph .....	040000992
Hot Gas Valve Coil Only 230/50-60/1 Ph .....	040000103
5 Line Drier .....	8252159
6 Liquid Line NTC Thermistor .....	040003056
7 <b>Fan Motor</b>	
a. 230/50-60 Hz .....	2000213
b. Fan Blade .....	3005653

## Miscellaneous – Brackets, Screws, etc.

8 Fan Shroud .....	040003712
9 Fan Motor Mounting Bracket .....	040003709
10 SCR, STL PH 23 TC-M4X13MM(bracket to fan shroud) .....	5004499
11 Nut ,STL, Hex-Reg, M4 X 0.7 (motor to bracket) .....	5005513

# UG80 PANELS



## Door – Gray

1	Frame .....	040003730
2	Door Track Assembly .....	040004091
3	Door Assembly .....	040003731
4	Grill (Not Including Air Filter) .....	040002558
5	Grill Screws (5 x 13 mm) .....	5004499
6	Top Cover .....	7603503
7	Back Panel .....	040003499
8	Leg Leveler .....	5005253
9	Air Filter (Not Shown) .....	040004376