

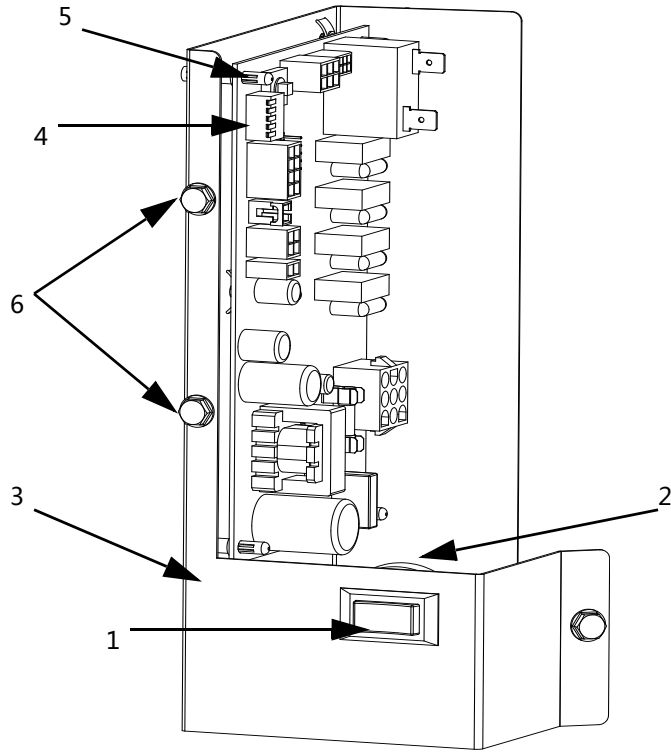


## **Ice Machine Parts List for Series UG030 Models**

**UG030A**

**UG030W**

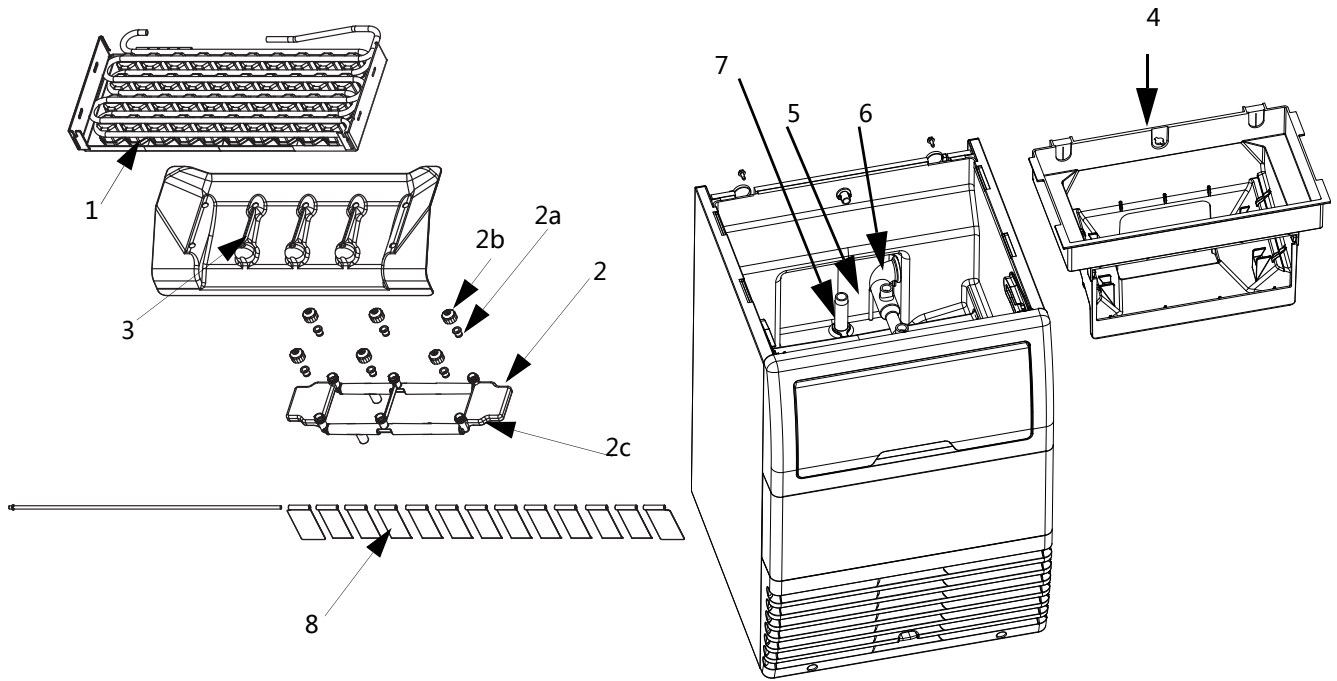
# UG30 CONTROL BOX



## DESCRIPTION

	<b>DESCRIPTION</b>	<b>PART NO.</b>
1	Toggle Switch .....	2301513
2	Bushing,SB1500-21/2240 .....	2500133
3	<b>Control Box</b>	
	a. 115V,230V/50-60Hz, UG30A .....	040003595
	b. 230V/50Hz, UG30W .....	040003595
4	Control Board .....	040002984
	<b>Miscellaneous – Brackets, Screws, etc.</b>	
5	Control Board Mounting Supports .....	4302253
6	Screw .....	5202323
7	<b>Control Box cover( Not Shown)</b>	
	a. 115V, 230V/50-60Hz, UG30A .....	040003596
	b. 230V/50Hz, UG30W .....	040003048
8	<b>Wiring Harness, Main</b>	
	a. 230V/50-60Hz, UG30A .....	040003744
	b. 230V/50Hz, UG30W .....	040004087
9	Wiring Harness, Toggle Switch .....	040003438
10	<b>Jump Wire ( Not Shown)</b>	
	a. 230V/50,UG050A .....	040003061
	b. 230V/60,UG050A .....	040003431
	c. 115V/60,UG050A .....	040003436
	d. 230V/50,UG050W .....	040003067

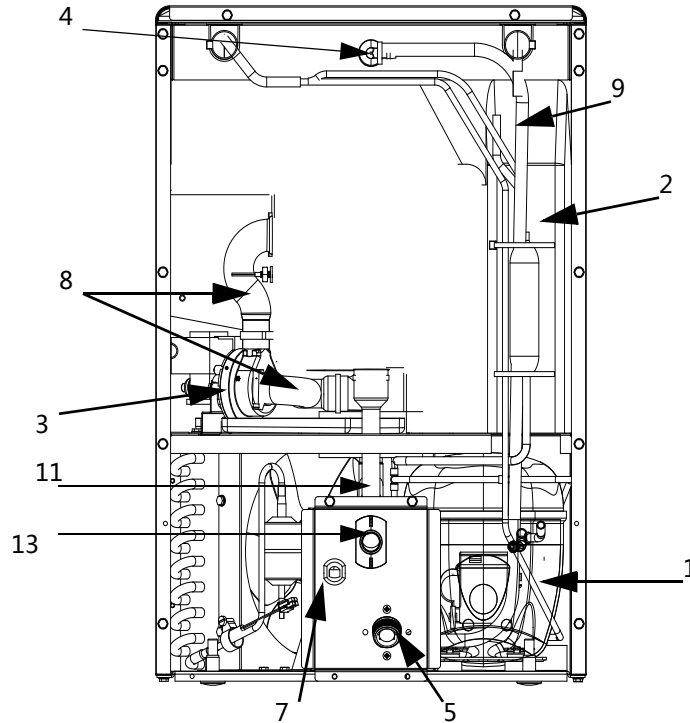
# UG30 EVAPORATOR ASSEMBLY



## DESCRIPTION

	DESCRIPTION	PART NO.
1	<b>Evaporator Assembly</b>	
a.	Standard	7602629
2	<b>Spray Bar Assembly</b>	040004368
a.	Insert (each)	4008779
b.	Cap (each)	4008769
c.	O-ring	5004639
3	<b>Ice Ramp</b>	040003484
4	<b>Evaporator Housing Assembly</b>	040003630
5	Water Level NTC Thermistor	040003053
6	Tubing (Water Pump Out)	000001068
7	<b>Standpipe Assembly</b>	
a.	Standpipe	4012749
b.	Plug	040000096
8	<b>Curtain Assembly(6 pieces)</b>	
a.	Paddle	040003482
b.	Rod	040003609
c.	Cover.evap/Hanger	040003486
<b>Miscellaneous – Brackets, Screws, etc.</b>		
9	Spray Bar Clamp	5650649

# UG30 REFRIGERATION COMPARTMENT – COMMON PARTS

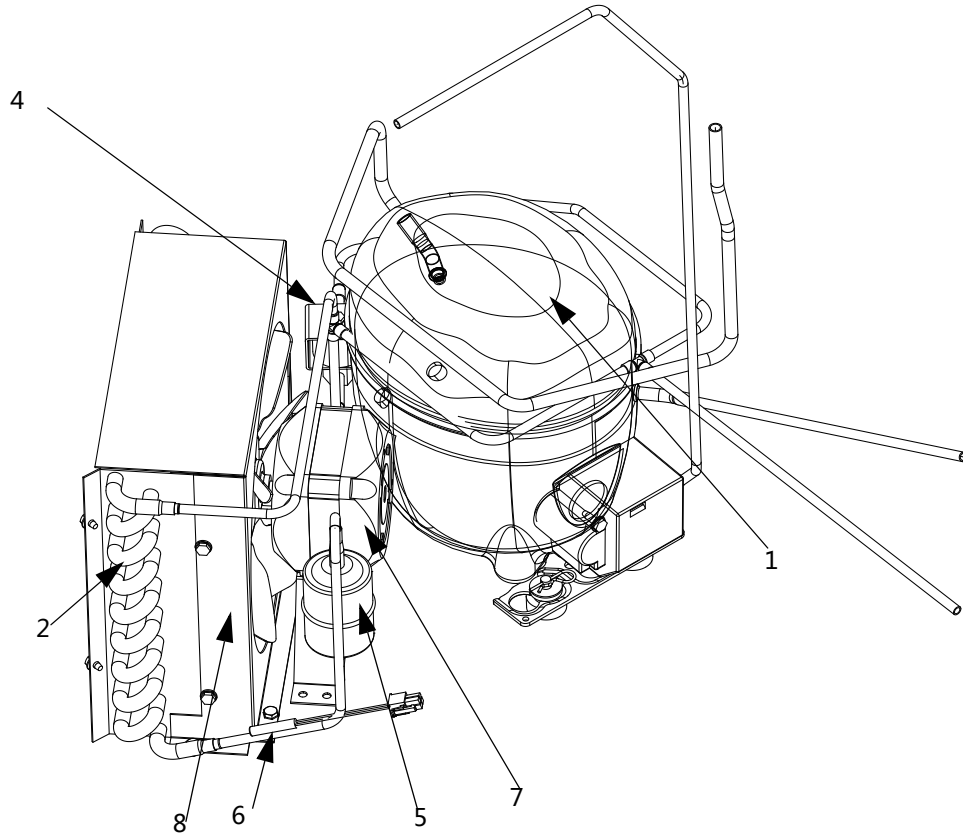


## DESCRIPTION

## PART NO.

<b>1 Compressor</b>	
a. Embraco 230/50-60/1 Ph	040003231
Start Relay	040003234
Start Capacitor	040003237
Relay Cover	8253483
Overload Protector	2010113
b. 115V/60/1Ph FF10HBK	040000176
Relay Assembly	040000191
Relay Cover	8253483
Overload Protector	040000192
<b>2 Cap Tube Assembly</b>	
a. 230/50Hz	040004370
b. 230/60Hz & 115V/60Hz	040004369
<b>3 Water Pump</b>	
a. 220V/50Hz	000000659
c. 220V/60Hz	000001033
d. 115V/60Hz	000000659
e. Bracket	000000794
<b>4 Evaporator Water Inlet Fitting</b>	040004041
<b>5 Water Inlet Valve</b>	
a. 230/50-60Hz UG030A	040001079
b. 230/50Hz UG030W	040001078
c. 115/60Hz UG030A	040002999
d. Mylar Shield	000000827
<b>6 Power Cord</b>	
a. 230/50/1	040000826
b. 230/60/1	2033023
c. 115/60/1	040002464
<b>7 Terminal Block</b>	2512043
<b>Miscellaneous – Brackets, Screws, etc.</b>	
<b>8 Vinyl Tubing</b>	
a. Pump to Spray Bar	000001068
b. Sump to Pump	000000796
c. Clamp	5000493
<b>9 Water Inlet Tubing .375 ID</b>	040004048
<b>10 Water Supply Hose(not shown)</b>	040001088
<b>11 Bin Drain Tube</b>	040002975
<b>12 Drain Line Clamp</b>	5650733
<b>13 Drain Fitting Barbed</b>	4011289
<b>14 Screw 7 x 7 mm (mounts water inlet valve)</b>	5004429
<b>15 Screw 5 x 13 mm (mounts water pump)</b>	5005023
<b>16 Compressor Mounting (Embraco 230/50-60/1 Ph)</b>	
a. Compressor Mounting Retainer	5648269
b. Compressor Clevis Pin 1/4" x 1"	3712109
c. Compressor Hairpin Clip	5648289
d. Compressor Sleeve	5000903
e. Compressor Rubber Grommet	5000899
f. Compressor Washer	5000979
<b>17 Leg</b>	5005909

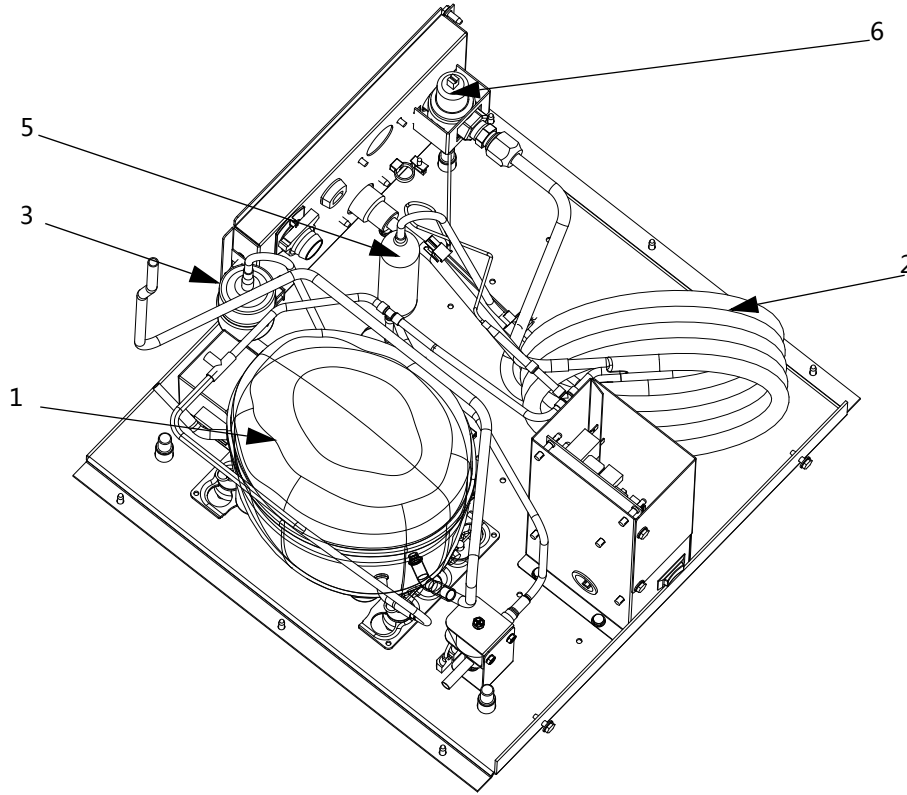
# UG30 REFRIGERATION COMPARTMENT – AIR-COOLED



## DESCRIPTION

DESCRIPTION	PART NO.
1 Compressor (Refer to COMMON PARTS Page) .....	Page -4
2 Air Condenser .....	040002979
3 Baffle - Air Condenser (not shown) .....	040003010
4 <b>Hot Gas Valve</b> .....	<b>040003212</b>
a. Hot Gas Valve 230/50-60/1 Ph .....	040003786
b. Hot Gas Valve 115/60/1 Ph .....	040000689
5 Line Drier .....	8252169
6 Liquid Line NTC Thermistor .....	040003056
7 <b>Fan Motor</b> .....	
a. 230/50-60 Hz .....	040003598
b. 115V/60 Hz .....	040003000
c. Fan Blade .....	040003599
<b>Miscellaneous – Brackets, Screws, etc.</b>	
8 Fan Shroud .....	040002993
9 Fan Motor Mounting Bracket .....	040002995
10 SCR, STL PH 23 TC-M4X13MM(bracket to base) .....	5004853
11 Nut ,STL, Hex-Reg, M4 X 0.7 (motor to bracket) .....	5005043

# UG30REFRIGERATION COMPARTMENT – WATER-COOLED



## DESCRIPTION

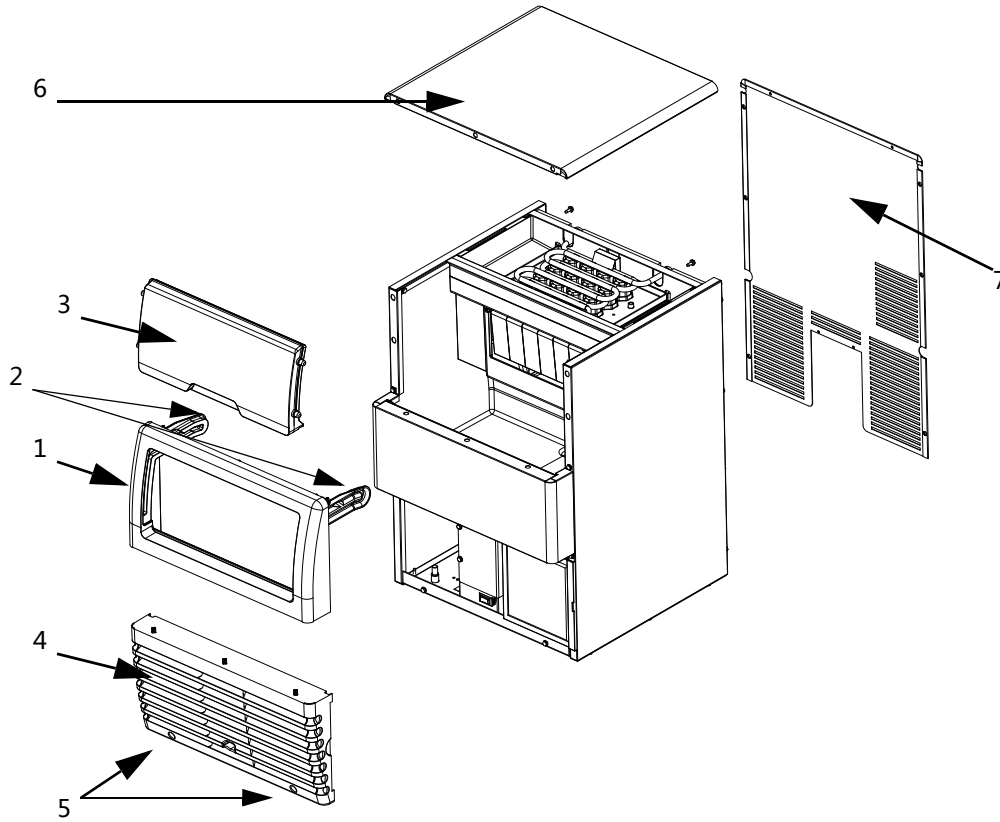
1	Compressor (Refer to COMMON PARTS Page)	.....
2	Water Condenser	.....
3	Liquid Line Drier	.....
4	HPCO (not shown)	.....
5	Receiver	.....
6	Water Regulating Valve	.....
	a. Coupling 3/8 F x 3/8 NPT	.....

## PART NO.

### Miscellaneous – Brackets, Screws, etc.

7	Adapter 1/2 NPTF	.....	8706103
8	Water Regulating Valve Bracket	.....	6056039

# UG30 PANELS



## Door – Gray

1	Frame .....	040004027
2	Door Track Assembly .....	040004089
3	Door Assembly .....	040004028
4	Grill (Not Including Air Filter) .....	040002977
5	Grill Screws (5 x 13 mm) .....	5004499
6	Top Cover .....	6062119
7	Back Panel .....	040003724
8	Leg Levelers .....	5005909
9	Air Filter (Not Shown) .....	040004367