

GLASS DOOR MERCHANDISER

* Standard - Plain white AD decal



Fan cooling



Digital



LED lamp

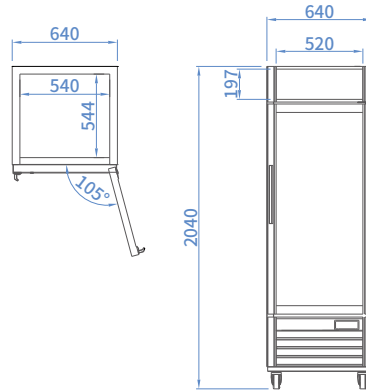
SGM-18



SGF-18



SGM-18
SGF-18



MODEL	SGM-18	SGF-18
Classification	Refrigerator	Freezer
Cabinet Dimension (WxDxH mm)	640 x 700 x 2040	
Capacity (ℓ)	420	
Inner Temperature (°C)	1~ 8	-25 ~ -15
Ambient Temperature (°C)	40	38
Refrigerant	R-134a	R-404a
Insulation Type	Polyurethane / Cyclopentane + CFC Free	
Amps (A)	1.7	3
Voltage (V/Hz/Ph)	240 / 50 / 1	
Weight (Kg)	80	
Door Type	Swing Door	
Number of Doors	1	
Power (W)	380	642
Number of Shelves	3	
Power Plug	10A	

GLASS DOOR MERCHANDISER

REACH-IN

UNDER COUNTER

BAR EQUIPMENT

ICE MAKER

DISPLAY CASE

SPECIAL MODEL

BAKING LINE