

SFF fg 4001

Laboratory freezer with convection cooling and an interior free of ignition sources

Performance



LIEBHERR

Freestanding

LIEBHERR

SFFfg 4001

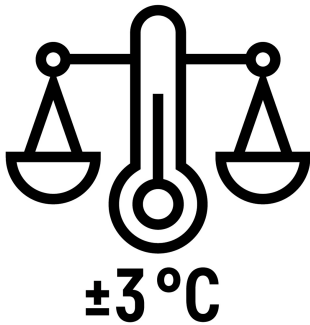
Laboratory freezer with an interior free of ignition sources

Performance



Gross/net capacity	316/242 l
Ext. dimensions in mm (w/d/h)	597/654/1884
Int. dimensions in mm (w/d/h)	403/402/1588
Energy consumption in 365 days	384 kWh
Ambient temperature range	+10 °C to +35 °C
Heat output	529 kJ/h
Refrigerant	R 290
Frequency / voltage	50 Hz / 220-240 V~
Cooling system	static
Defrosting	manual
Temperature range	-9 °C to -30 °C
Gradient / max. fluctuation	5.2 °C / 2.4 °C
Housing material/colour	steel / white
Door material	steel
Liner Material	commercial grade moulded polystyrol
Type of Control	monochrome display, touch buttons
Alarm in case of malfunction	visual and audible
Power failure alarm	when mains power return
volt-free alarm contact	yes
Interface	WLAN/LAN (optional)
Adjustable Shelving	5
Shelf material	glass
Usable shelf area in mm (w / d)	400 / 402
Shelf loading	40 kg
Maximum total load	270 kg
Handle	antimicrobial handle with opening mechanism
Type of lock	mechanical
Door hinges	right, reversible on site
Gross/net weight	82/76 kg
EAN-Nr.	900538227638

Features



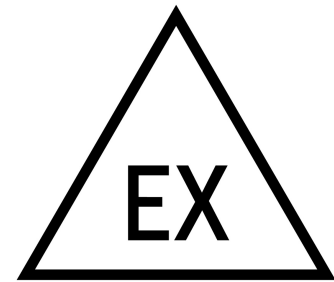
±3 °C temperature stability

Temperature fluctuations must be minimal to ensure that the quality of sensitive substances is preserved. Liebherr refrigerators have an impressive maximum deviation of just ±3 °C from the set temperature. This not only maintains the storage climate, but also the value of your stored goods.



Easy to clean interior

The plastic inside container is made of polystyrene: a fully recyclable, robust, and odourless plastic. Manufactured seamlessly from one piece, it has no hidden dirt traps and the large corner radii can be cleaned quickly and easily. The perfect combination of sustainability and hygiene.



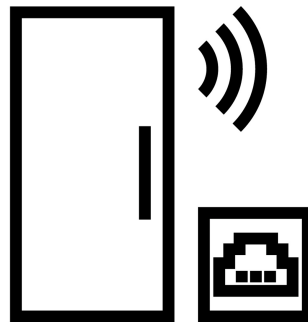
Compliance with the ATEX Directive

Liebherr laboratory equipment conforms to EN/IEC 60079-0 or EN-IEC 60079-7 and complies with EU Directive 2014/34/EU ("ATEX Directive"). Classification of the interior to II 3 G Ex ec IIC T6 (declared as Zone 22) makes them suitable for flammable substances in closed containers that could form explosive atmospheres.



+2 °C SafetyDevice

If the temperature in the appliance drops below +2 °C due to a malfunction, the +2 °C SafetyDevice function takes control, which keeps the temperature stable and activates an alarm. Sensitive substances are protected from freezing and you are notified immediately.



Retrofittable WiFi/LAN interface

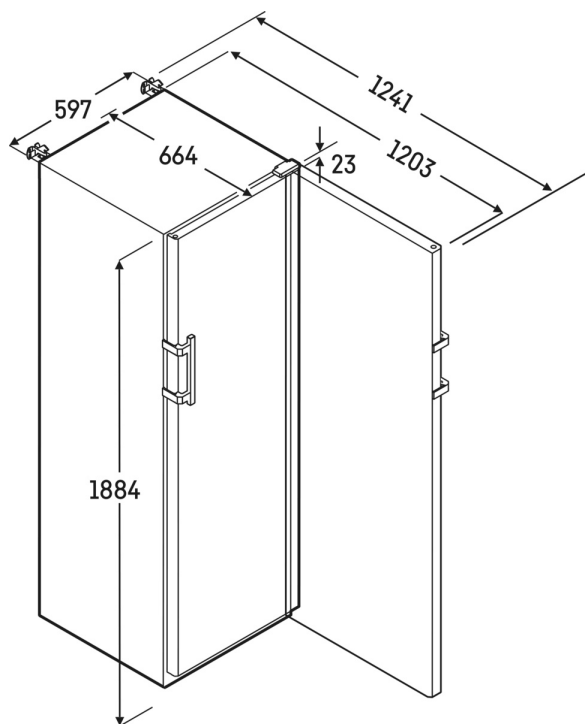
This is how easy it is to network a Liebherr: With the retrofittable WiFi and LAN interface, appliances can be effortlessly connected to external systems, such as SmartMonitoring from Liebherr. With the digital monitoring solution, the storage temperature is controlled and documented conveniently and securely via the subsequently set up interface.



Alarm test function

This test function can be used to check whether an internally or externally connected alarm system is functioning correctly. The appliance's refrigeration performance is not affected by this test.

Technical drawing



Products and their details are staged for advertising purposes. Whilst every effort is made to ensure all specifications and information in this flyer are accurate, Liebherr reserves the right to make changes without notification. Where actual appliance measurements, specifications, and ratings are crucial, we recommend that the actual appliance installation instructions that accompany each appliance be checked. (29.11.2023)

