

Two Solid Door Underbench GN 1/1 Fridge

Range: ProSpec
SKOPE ID: P1BR2-A1
Dimensions: 1290 mm (W) × 700 mm (D) × 850 mm (H)
Gross Volume: 288 L

Project: _____

Item #: _____



A two solid door underbench fridge designed for busy kitchens at venues such as restaurants, clubs, pubs, and cafés. The fridge is engineered to safely store food in ambient environments of up to 40°C (climate class 5). With GEMS-certified 5M1 performance, standard storage temperatures range from 1°C to 4°C, or are adjustable via the SKOPE-connect smartphone app for specific food types from -2°C to 15°C. The fridge is made from food-safe 304 AISI stainless steel throughout the interior and exterior. The 700 mm deep cabinet with a fully welded and integrated worktop can be configured to suit multiple installation options. At 850 mm overall height, it can be positioned under a bench on the supplied castors, positioned on a pre-installed plinth by removing the castors, or fitted with optional legs for a finished working height of 900 mm. The two self-closing solid swing doors are fitted with ergonomic 3 mm gauge stainless steel handles, built-in barrel locks, and a stay-open position of 90°. Inside the fridge, there is a door-activated LED light and 2 × 304 stainless steel GN1/1 shelves per door on double-row runners, which can also hold an additional GN1/1 pan. The fridge is fully configurable, with the doors swappable for either two or three GN drawer bays. The slim left-hand service compartment features an easily removable and cleanable condenser filter. The fully removable refrigeration cartridge uses R290 natural refrigerant for low energy consumption, low heat discharge and low noise output. Right-hand services are also available. It is fully front breathing with no side or rear clearance space required and can be easily removed in line with best practice for safe servicing of flammable refrigerants. The fridge includes a smart controller that connects to the free SKOPE-connect app to enable you to set temperatures and alerts, monitor temperatures and energy, and more. The fridge is certified to all Australian and New Zealand refrigeration and electrical safety standards.



Warranty



Natural Refrigerant



GEMS



ChillGuard



304 Stainless Steel

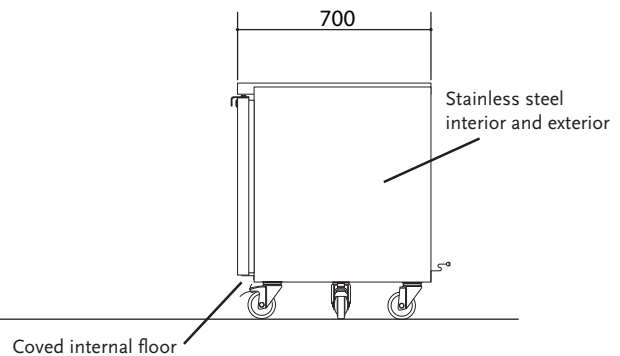
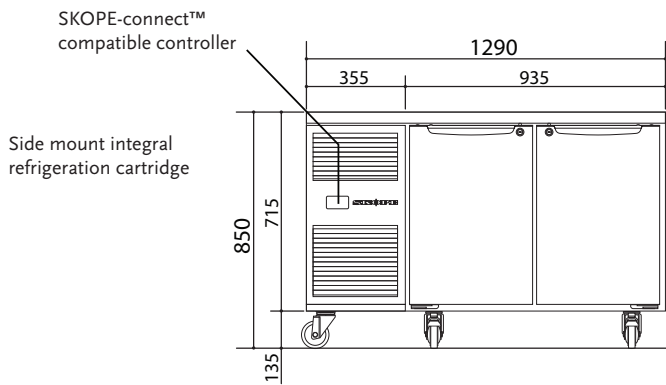
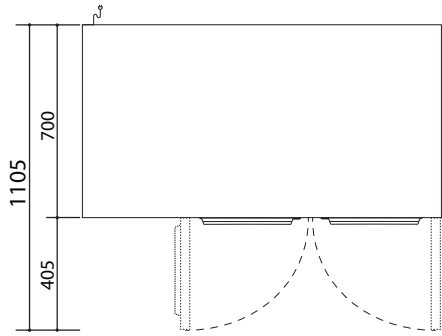


GN-compatible



SKOPE-connect





Cabinet

Type	Underbench		
Finish	304 AISI stainless steel		
Insulation	Type	PU foam	
	Thickness (mm)	50	
	Blowing Agent	Cyclo-iso pentane (C5H10/C5H12)	
Doors	Type	Solid swing door (barrel lock)	
	Opening Size	Height (mm)	555
		Width (mm)	355
Shelving	Four 304 stainless steel wire shelves 4 x shelf (330W x 540 [TBC]D)		
Gastronorm	Size	1/1	
Lighting*	1 x 400 mm, 4W LED light (door-activated)		

Dimensions†

	External	Internal	Packed
Width (mm)	1290	820	TBC
Depth (mm)	700	580	TBC
Height (mm)	850 (standard castors)		
	860 to 900 (legs)	605	TBC
	715 (plinth mount)		
Weight (kg)	106 [TBC]		TBC
Gross Volume (L)	288		
Footprint (m²)	0.9		

Ventilation (mm)

Top	Sides	Rear
Not required	Not required	Not required

Dimensional Tolerances

† Allow for dimensional tolerances when installing the cabinet(s).

Linear dimensions	Single cabinet		Multiple cabinets	
			At each joint	At each end wall
Less than 1 metre	±5 mm		±5 mm	+15 mm
More than 1 metre	-5 mm to +10 mm		-5 mm to +10 mm	+15 mm

Performance

Product Temperature Range (°C)	1 to 4 (adjustable* from -2 to +15)	
Maximum Ambient Temperature (°C)	40	
Sound Level (dB(A))	Standard	TBC
	Hush Mode*	TBC

Greenhouse and Energy Minimum Standards (GEMS)

Star Rating	7	
Product Temperature Class	5M1 (-1 to 5°C)	
Total Energy Consumption	1.60 kWh/24 h	
Annual Running Costs	\$175 (@ \$0.30/kWh)	

Electrical

Supply	220-240 volts a.c., 50 Hz, single phase supply	
Cord	2 m power cord with 3-pin, 10 amp plug	
Current draw (A)	2.0	

Refrigeration

Controller	SCS Connect (SKOPE-connect™ compatible)	
System Type	Removable cartridge	
Cartridge Weight (kg)	30	
Refrigerant/Charge	R290/80 g	
Nominal Capacity (W)	TBC	
Heat Rejection (W)	Average	TBC
	Peak	TBC
Defrost Type	TBC	
Drainage	No plumbing required	



PG11.UBR.2.SD
on the SKOPE website

* Accessible via the free SKOPE-connect™ app.

