



## M Series 700 Ice Cube Machine

Model:  MD0700A-251B  MY0700A-251B  MD0700W-251B  MY0700W-251B



M700 Ice Machine on A570V Bin

- Up to 310kgs (683 lbs) daily ice production and Only 30.00" (76.00 cm) wide
- R-410A CFC-free refrigerant
- Easy access to food zone with removal of two screws and lift-off door
- White plastics in the food zone help identify areas needing cleaning
- Water shield, distribution tube, pump, floats, and trough removable by hand
- Available CleanAir™ pack controls the growth of bacteria and fungi that form slime and cause odors in the food zone

### Specifications

**BTU Per Hour:**  
9,000 (average), 13,900 (peak)

**Compressor:**  
Nominal rating: 1.25 HP

**Refrigerant:**  
R-410A

**Operating Limits:**

- Ambient Temperature Range: 1.7°C to 43.3°C

- Water Temperature Range: 1.7°C to 32.2°C

- Water Pressure Ice Maker Water In:  
Min. 20 psi (137.9kPA)  
Max. 80 psi (551.1kPA)



### Ice Machine Electric

220-240/50/1 standard

**Total Circuit Ampacity:**

Air-cooled: 8.6A  
Water-cooled: 8.2A

**Maximum fuse size:**

20A

HACR-type circuit breakers can be used in place of fuses

### Cube Size Available



**Half-dice**  
3/8" x 1 1/8" x 7/8"  
(0.95 x 2.86 x 2.22 cm)



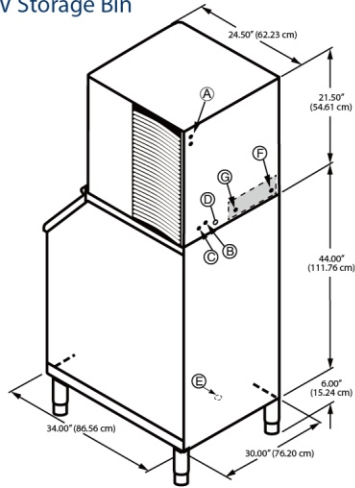
**Dice**  
7/8" X 7/8" X 7/8"  
2.22 X 2.22 X 2.22 (cm)





# M Series 700 Ice Cube Machine

M700 on A570V Storage Bin



- A Electrical Entrance (2) Options
- B 3/8" (0.95 cm) F.P.T. Ice Making Water Inlet
- C 1/2" (1.27 cm) F.P.T. Ice Making Water Drain
- D 1/2" (1.27 cm) Auxillary Base Drain Socket
- E 3/4" (1.91 cm) Bin Drain
- F 3/8" (0.95 cm) F.P.T. Water Condenser Inlet (water-cooled units)
- G 1/2" (1.27 cm) F.P.T. Water Condenser Outlet (water-cooled units)

*Installation Note - Minimum installation clearance:  
Top/sides: 8" (20.32 cm), back: 5" (12.70 cm).*

### Space-Saving Designs



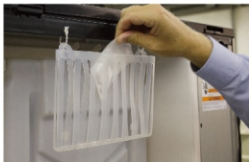
	<b>M700 A570V</b>
Height	71.50" 181.61cm
Width	30.00" 76.20 cm
Depth	34.00" 86.56 cm
Bin Storage	430 lbs 195 kg

*Height includes adjustable bin legs 6.00" to 7.00"  
(15.24 cm to 17.78 cm) set at 6.00" (15.24 cm).*

Model	Ice Shape	Ice Production 24 Hours		Power Usage kWh/100 lbs. @90°Air/70°F	Water Usage 100 lbs. 45.4 kgs. of Ice
		70°Air/ 50°F Water	90°Air/ 70°F Water		
MD0700A-251B	dice	290 kg	228 kg	5.36	71.8
		639 lbs	502 lbs		
MY0700A-251B	half-dice	309 kg	240 kg	5.36	71.8
		681 lbs	529 lbs		
MD0700W-251B	dice	292 kg	229 kg	4.34	67.5
		643 lbs	504 lbs		
MY0700W-251B	half-dice	310 kg	240 kg	4.34	67.5
		683 lbs	529 lbs		

*Suffix of model "A" means air cooled, Suffix of model "W" means water cooled.*

#### CleanAir™ Pack Slime Inhibitor



CleanAir™ Pack Accessory is patented technology that releases chlorine dioxide on a controlled basis to inhibit the growth of bacteria and fungi that form slime and cause odors in the food zone ice machines.

#### Easy Access Parts Of Water System



Water shield, distribution tube, pump, floats, and trough removable by hand

#### Easy Access Air Filter



Easy to clean, reusable air filter protects condenser from lint, grease and dust.