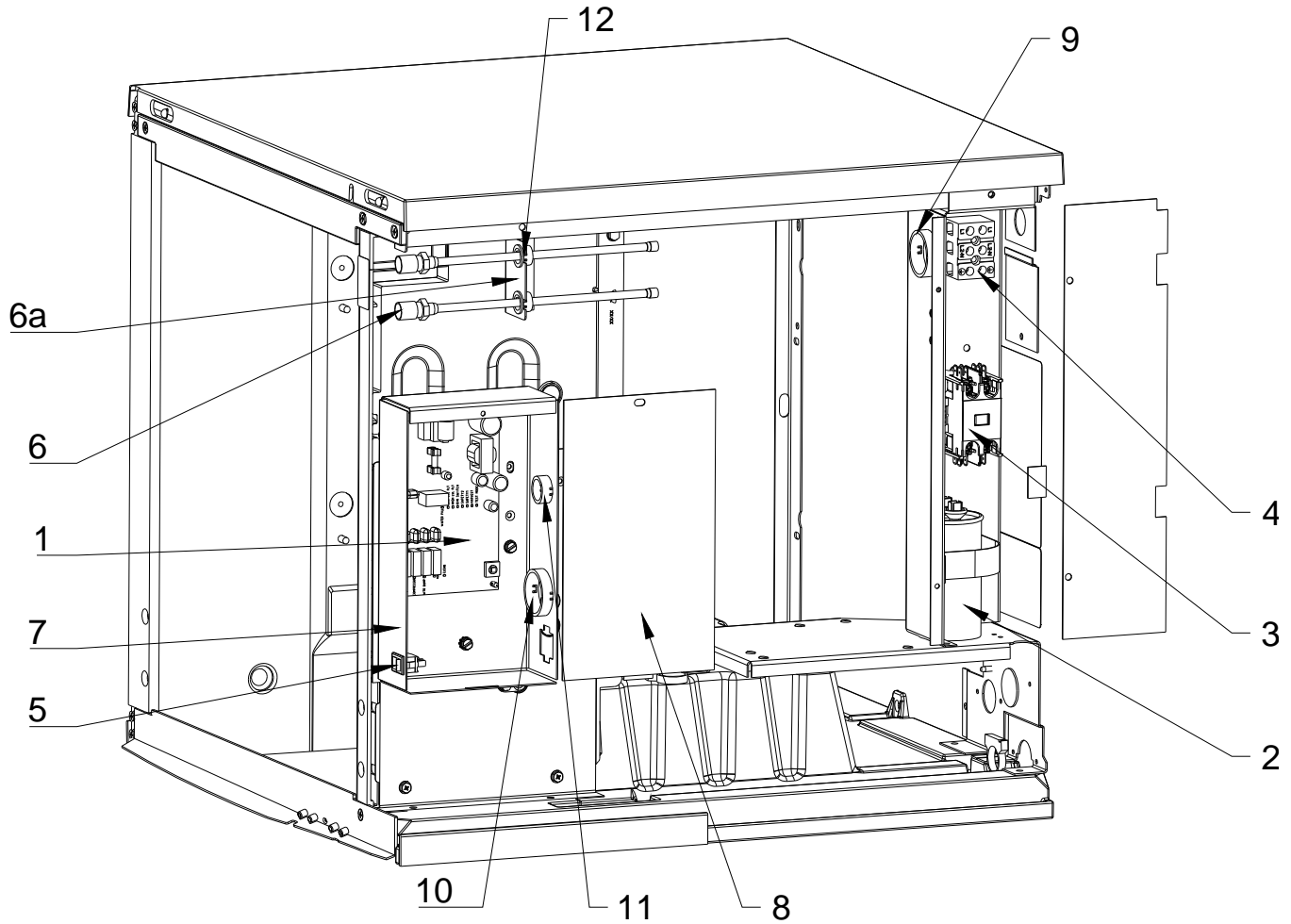




**Ice Machine Parts List for  
Series MD0420 Models**

**MD0420A&MD0420W**

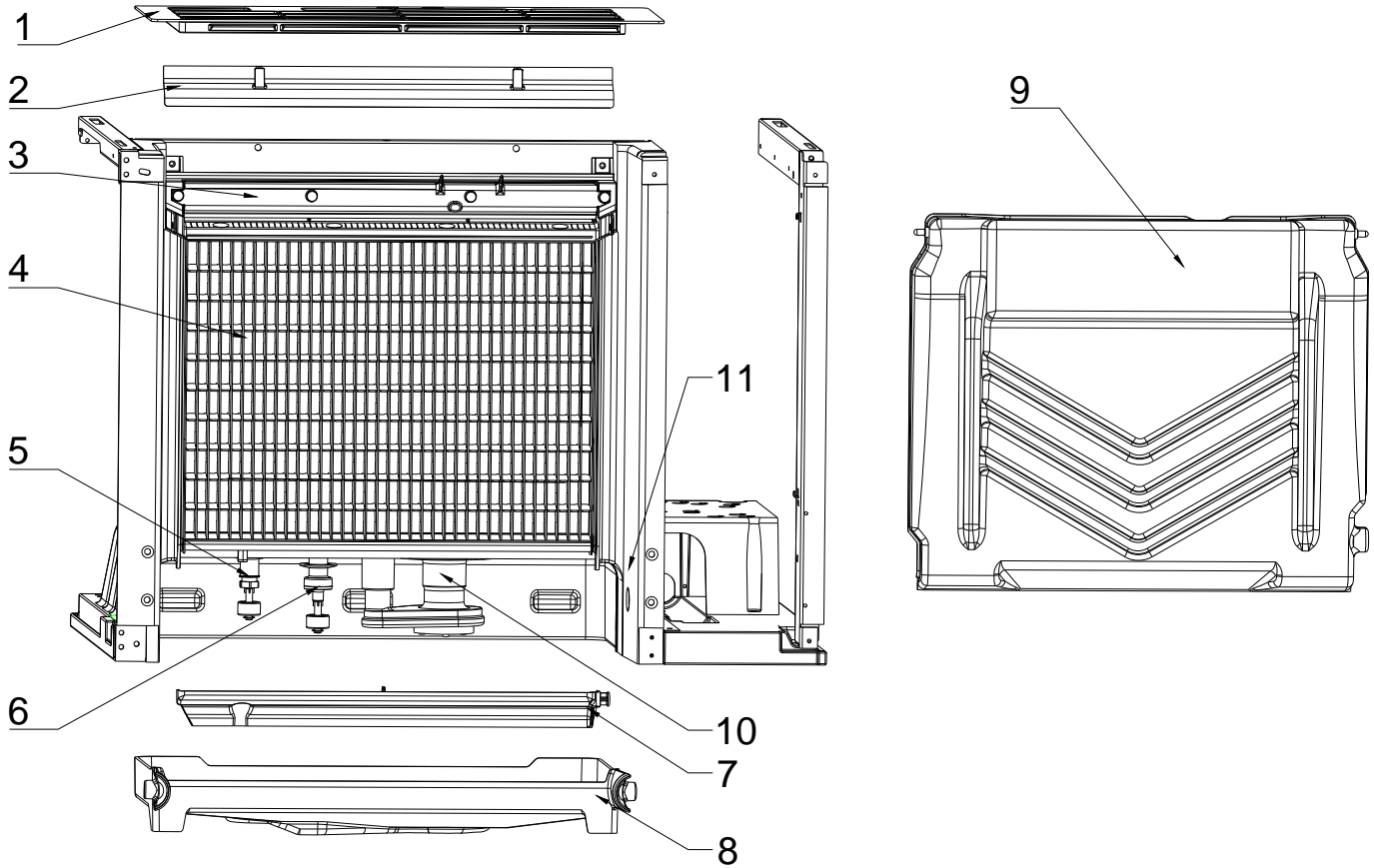
# MD0420 CONTROL BOX



## DESCRIPTION 描述

	PART NO. 零件号码
1 Control Board 控制板	040005242
1a Ceramic Fuse 保险管	000012211
1b Control Board Mounting Supports 控制板支撑	4302253
2 Run Capacitor 运行电容 -230V/50-60HZ	000011640
2c Bracket - Run Capacitor 运行电容支架	000010711
3 Contactor 接触器 230V/50HZ	2006599
3a Contactor 接触器 230V/50-60HZ	2006589
4 Terminal Block-50HZ-3Pole 接线端子	2006143
5 Toggle Switch 功能开关	2007939
6 Refrigeration Service Valve Assembly 维修阀	8373263
7 Control Box 控制箱	000010314
8 Control Box Cover 控制箱盖	000012463
9 Bushing 套管 0.875"	2501409
10 Bushing 套管 1.187"	2500019
11 Bushing 套管 0.625"	2502189
12 Overload Protector 过载保护器 -115/60Hz/1 Ph.	000011142
12a Overload Protector 过载保护器 -230/60Hz/1 Ph.	000011143
12b Overload Protector-Bracket 过载保护器支架	000010853
13 Wiring Harness - Compressor 压缩机线束	000011182
13a Wiring Harness -Compressor Compartment - Air-cooled 空冷线束	000007185
13b Wiring Harness -Compressor Compartment - Water-cooled 水冷线束	000007177
13c Wiring Harness -Float Switch to Control Box 浮球开关至控制箱线束	000010511
13d Wiring Harness -Toggle Switch 功能开关线束	000010724
14 Manifold Strainer 过滤器	000011170
15 Fan Cycle Control-335-275 psig 风扇循环开关	000013531
16 High Pressure Cut-out 高压切断开关	000013576

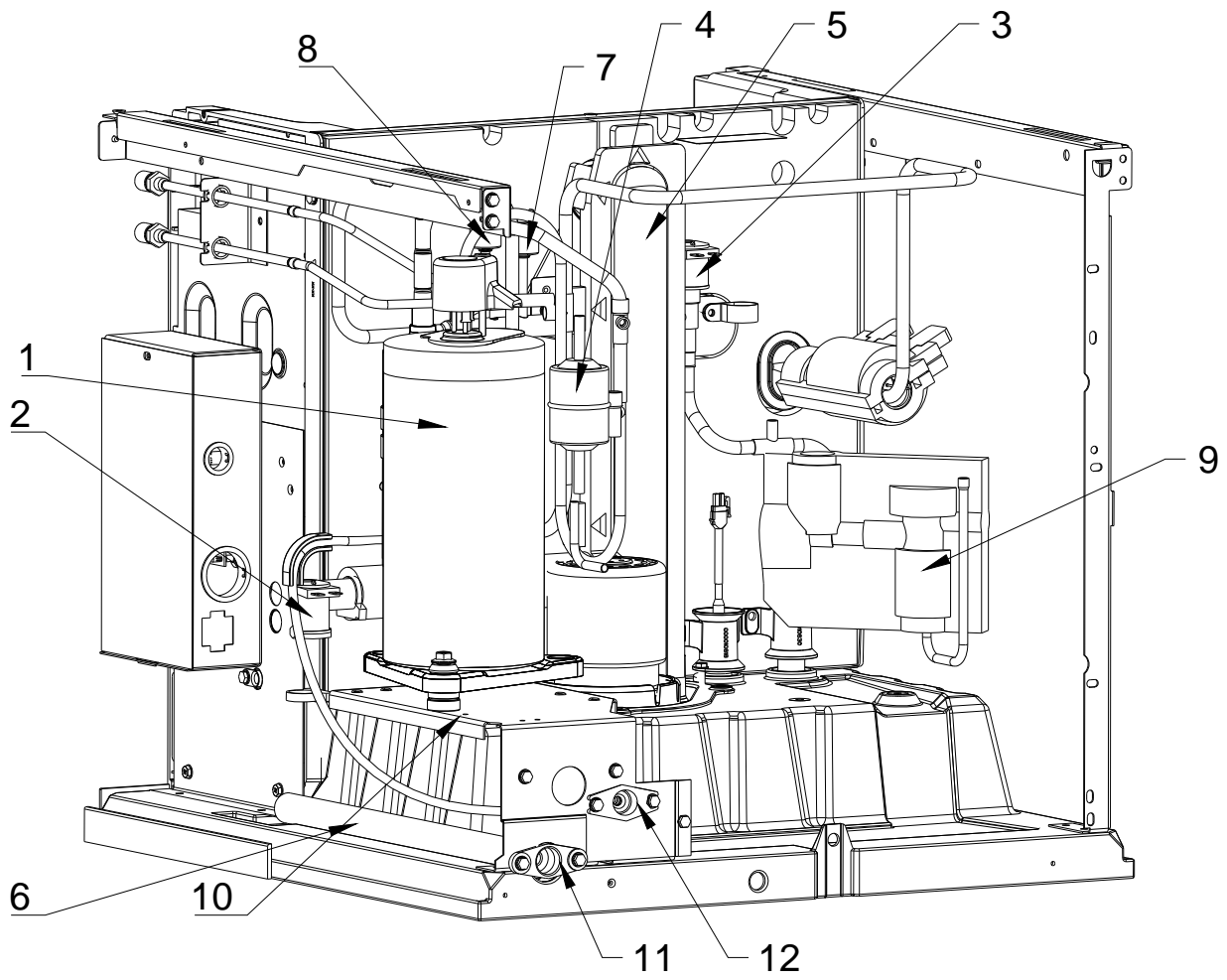
# MD0420 EVAPORATOR ASSEMBLY



## DESCRIPTION 描述

DESCRIPTION 描述	PART NO. 零件号码
1 Foodzone Seal Panel 制冰区密封板	00009188
2 Evaporator Top Filler Panel 蒸发器顶部过滤板	6065389
2a Screw - 螺丝 #10-24 x 0.50" PHIL	5202099
3 Water Distributor 分水管 -22" L	7602789
3a Thumbscrew SS 指旋螺钉 - #8-32 x 0.375"	5004799
3b O-Ring - O 型圈 0.125" ID	5004629
4 Evaporator Assembly 蒸发器组件	
a. Dice Cube 方块冰蒸发器	7602879
b. Half Dice Cube 半方块冰蒸发器	7602889
5 Ice Thickness Float 冰厚浮子开关	000012651
5a Bracket - Ice Thickness Float 冰厚浮子开关支架	000010630
6 Harvest Float 收冰浮子开关	000012649
6a Bracket - Harvest Float 收冰浮子开关支架	000010818
7 Water Diverter-30"Models 水分流器	7602213
7a Thumbscrew SS - #8-32 x 0.44" 指旋螺丝	5305123
8 Water Trough 水槽	000011512
9 Water Curtain 水帘板	4011189
10 Water Pump	
a. Water Pump 水泵 115V/60HZ	2008929
b. Water Pump 水泵 230V/50HZ	2008949
c. Water Pump 水泵 230V/60HZ	2008939
d. Water Pump Mount 水泵基座	000010244
e. Water Pump Base O-Ring - 水泵底座 O 型圈 4.00" ID	5004659
f. Water Pump Outlet O-Ring - 水泵出口 O 型圈 4.00" ID	5004679
11 Magnetic Bin Switch 箱体开关	000010510
12 Magnetic Bin Switch Harness 箱体开关线束	000007410
13 Evaporator Top Frame Assembly 蒸发器顶部支架	7602799

# MD0420 REFRIGERATION COMPARTMENT – COMMON PARTS

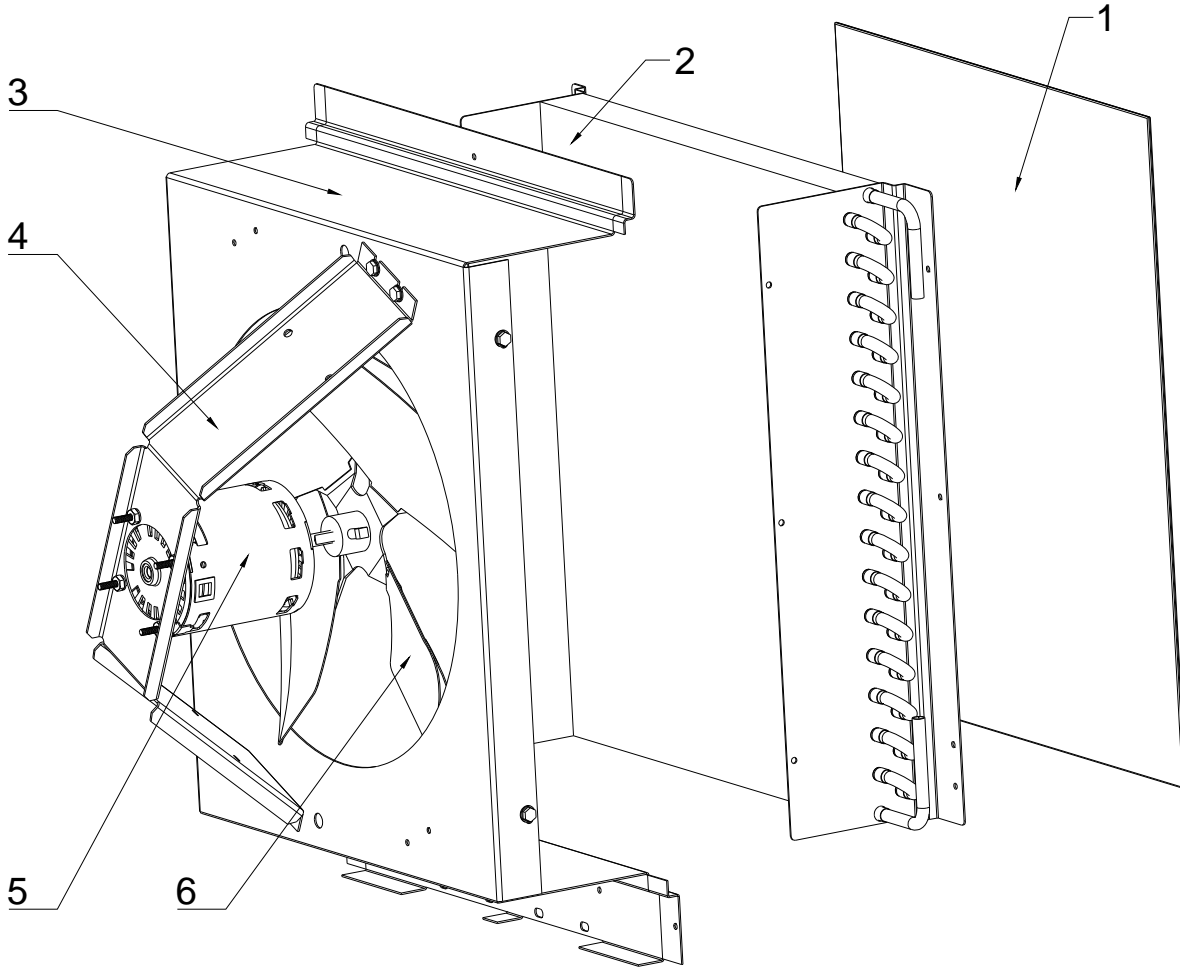


## DESCRIPTION 描述

## PART NO. 零件号码

1	Compressor Assembly 压缩机组件	
a.	Compressor 压缩机 115V/60 Hz	000010315
b.	Overload Protector 过载保护器 208-230V/60Hz	000010316
c.	Compressor 压缩机 230V/50 Hz	040004803
2	Water Dump Valve 排水阀	
a.	Water Dump Valve 排水阀 115V/60 Hz	000001767
b.	Water Dump Valve 排水阀 208-230V/50-60 Hz	000007439
c.	Water Dump Valve Mounting Bracket 排水阀底座支架	6058459
d.	Clear Tubing 清洁管 0.625" ID	4420383
3	Harvest Valve 收冰阀	
a.	Solenoid Valve with Electrical Coil 电磁阀 115V/60 Hz	000007029
b.	Solenoid Valve Coil Only 电磁阀线圈 115V/60 Hz	000005156
c.	Solenoid Valve with Electrical Coil 电磁阀 208-230V/50-60 Hz	000007028
d.	Solenoid Valve Coil Only 电磁阀线圈 208-230V/50-60	000005157
4	Drier 干燥过滤器	8930259
5	Insulated Tube 保温管	000010896
5a	Snap Clamp -1.0" ID 管夹	5650609
5b	Snap Clamp -0.799"/0.899" ID 管夹	5650709
6	Vinyl Tubing 0.625" ID 乙烯管	000001382
6a	Insulation - 0.88" ID x 0.25" W x 13.5" L 绝缘隔热棉	6038831
6b	Snap Clamp-0.799"/0.899"ID	5650709
7	High Pressure Cut-out 高压切断开关	000013576
8	Fan Cycle Control-335-275 psig 风扇循环开关	000013531
9	Expansion Valve 膨胀阀	000012224
10	Compressor Base Nut 压缩机基座螺帽	5005009
10a	Rubber Grommet 橡胶环	000010698
10b	Metal Sleeve 金属套管	5000109
11	Female Wing Adapter 连接器 0.375"	8706093
12	Female Wing Adapter 连接器 0.5"	000005423
13	Water Inlet Valve 进水阀	
a.	Water Inlet Valve-115V/60Hz 进水阀	000009120
b.	Water Inlet Valve-230V/50Hz 进水阀	000009122
14	Terminal Cover	000011505
15	Terminal Cover Gasket	000011506
16	Terminal Cover Nut	000010854

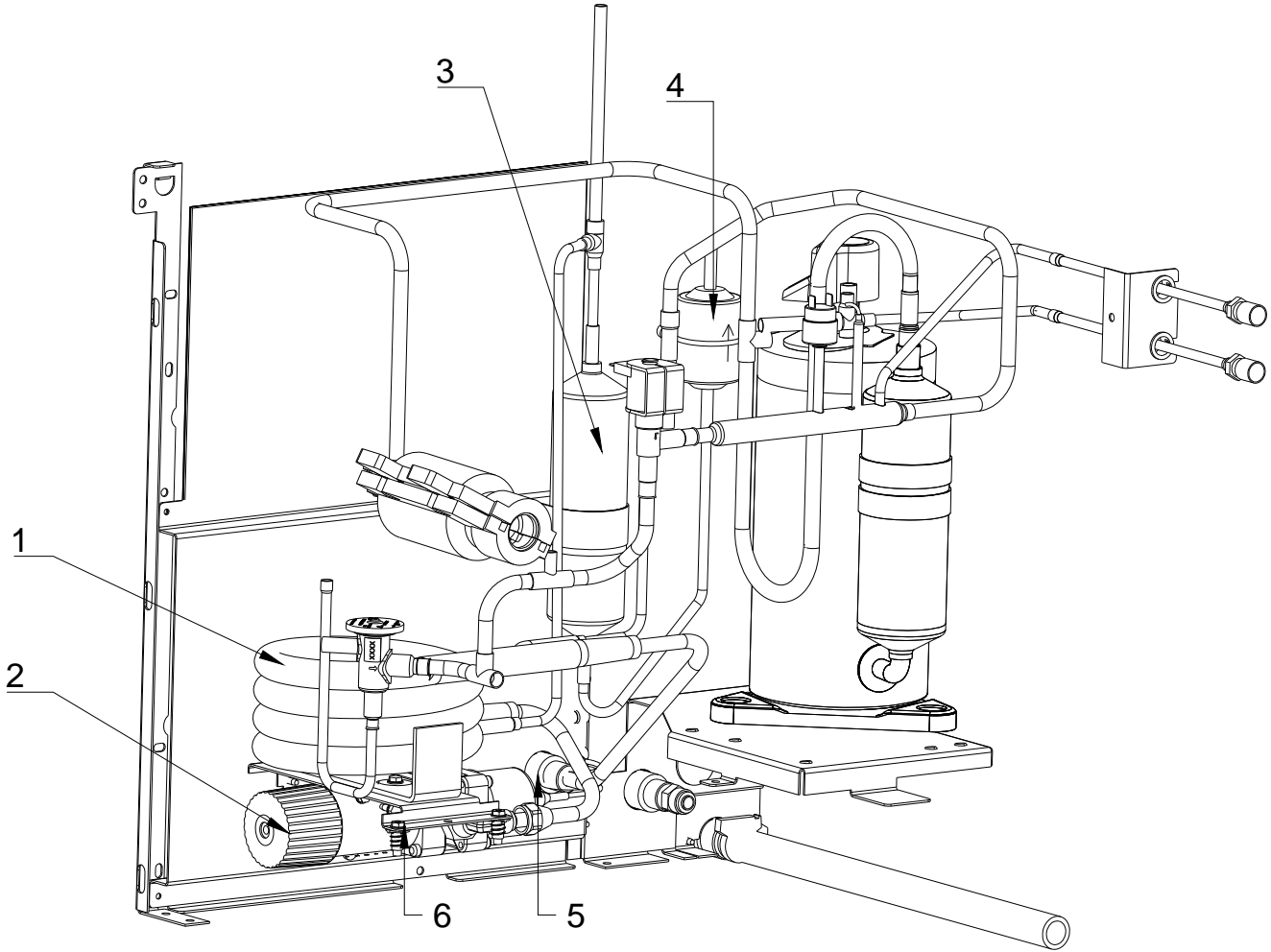
## MD0420 REFRIGERATION COMPARTMENT – AIR-COOLED



### DESCRIPTION

	DESCRIPTION	PART NO.
1	Air Filter 空气过滤器 .....	3005939
2	Air Condenser 空冷冷凝器 .....	8252129
3	Fan Shroud 风扇护罩 .....	000002484
4	Fan Motor Bracket 风扇电机支架 .....	6061869
5	Fan Motor	
	a. 230V/50-60 Hz 风扇电机 .....	2412939
	b. 115V/60 Hz 风扇电机 .....	2412929
6	Fan Blade 风扇叶片 .....	2416203
7	Mounting - Screw 固定螺丝 .....	5033589
7a	Mounting - Nut 固定螺帽 .....	000000936
7b	Screw - #10-24 x 0.50" HEX 螺丝 .....	5202069

# MD0420 REFRIGERATION COMPARTMENT – WATER-COOLED



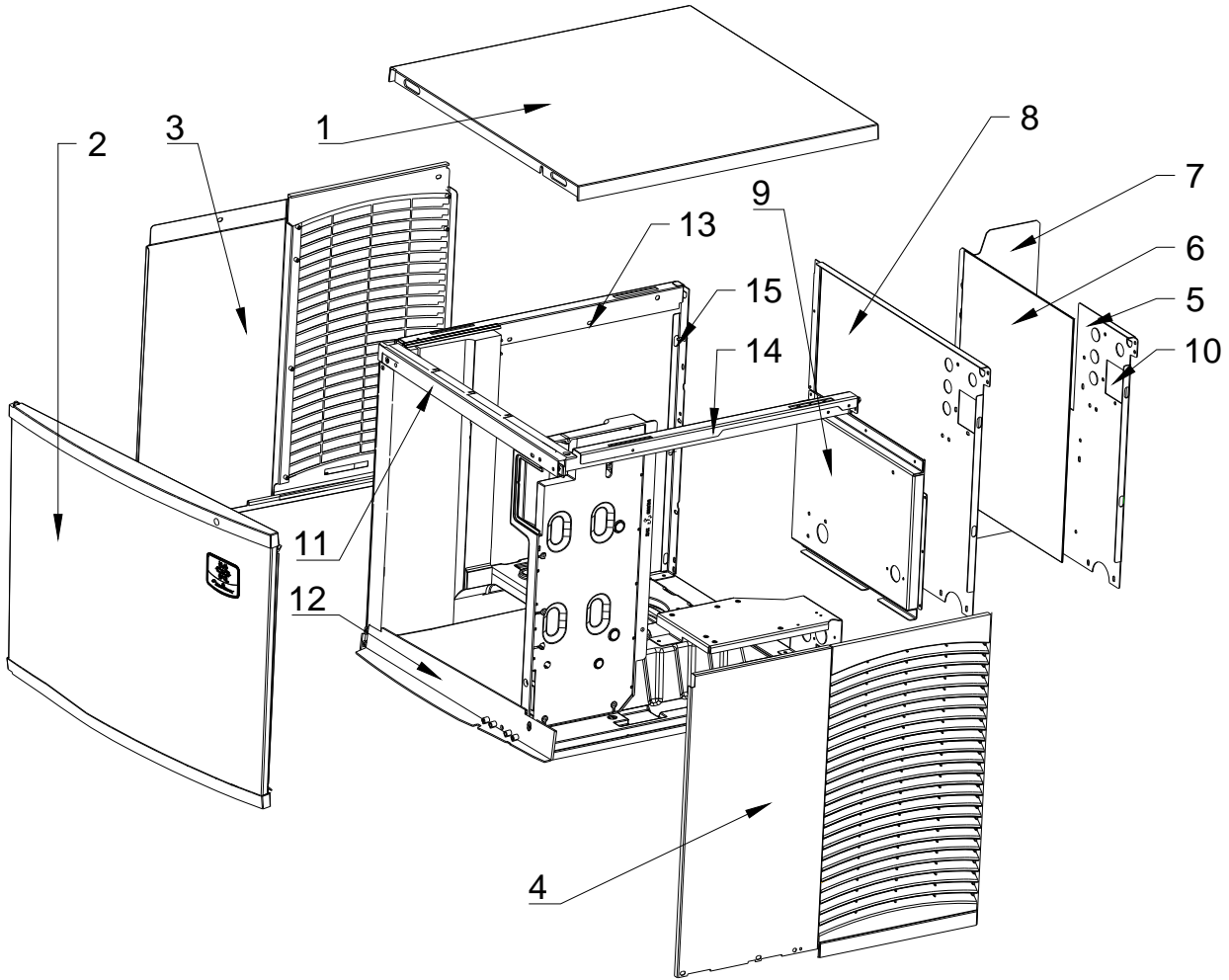
## DESCRIPTION 描述

		PART NO. 零件号码
1	Water-cooled Condenser 水冷冷凝器	000000045
2	Water Regulating Valve 水压调节阀	000013475
3	Receiver 储液罐	000008892
4	Drier 干燥过滤器	8930259
5	Adapter-0.5"NPTx0.375"ODF	8706103
6	Base 基座	000010604
6a	Strap 储液罐固定带	6000541
6b	Screw - #10-24 x 0.50" HEX 螺丝	5212319
6c	Washer 垫圈	5573419





# MD0420 PANELS



## DESCRIPTION 描述

	DESCRIPTION 描述	PART NO. 零件号码
1	Top Cover 顶盖板	4012029
2	Front Panel 前盖板	040005468
3	Left Side Panel 左侧板	040005623
4	Right Side Panel 右侧板	040005622
5	Back Panel - Air-cooled 空冷后盖板	000011501
6	Air Filter 空气过滤器	3005939
7	Air Baffle Assembly 空气挡板支架	000007314
8	Back Panel - Water-cooled 水冷后盖板	000011502
9	Back Coupling Panel 后侧接合板	000011503
10	Electrical Connection Box Cover 电控箱盖子	6063999
11	Front Top Support 前上支架	000010050
12	Bottom Door Frame 前下支架	7602829
13	Left Top Channel 左侧顶部导轨	6068649
14	Right Top Channel 右侧顶部导轨	6071451
15	Left Corner Post 左角柱	000011100
16	Compressor Base 压缩机座	000010975