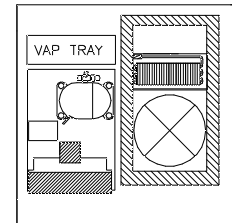
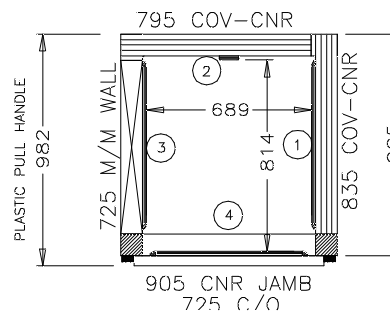
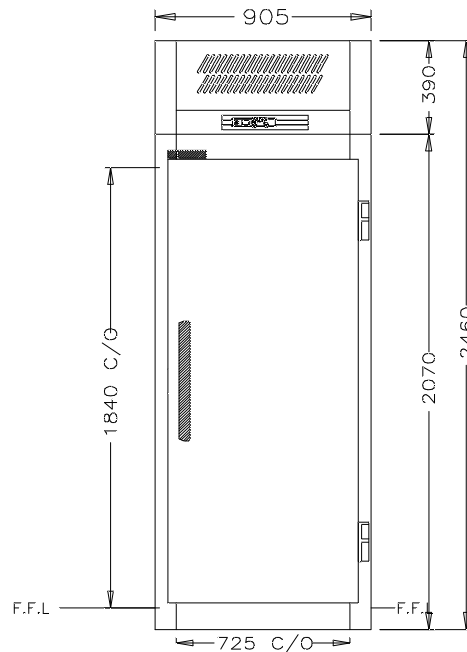


# LRMR1T



CATEGORY	FOODSERVICE SPECIALISED
RANGE	<b>Ruby Roll-In</b>
UNIT	FREEZER
TYPE	SELF CONTAINED
DOORS	1



## SPECIFICATIONS

CAPACITY LITRES	1237
TEMPERATURE - 43°C AMBIENT ENVIRONMENT	-18°C / -22°C
DIMENSIONS - W X D X H MM (INCLUDES 90 MM INTERNAL FLOOR)	905 W x 982 D x 2460 H
DOOR OPENING HEIGHT MM	1776
<b>STANDARD INCLUSIONS ***</b>	
DOORS	1
FINISH (INTERIOR AND EXTERIOR EXCLUDING REAR AND UNDER)	SS (Stainless Steel)
<b>ELECTRICAL</b>	
POWER SUPPLY	10 amp
POWER CABLE LENGTH (METRES)	2
RUNNING AMPS	6.5
<b>GAS TYPE</b>	
REFRIGERANT	R404a
<b>REFRIGERATION WATTAGES FOR OPTIONAL REMOTE UNITS</b>	
FREEZER MODELS (R404A)	650 @ -30°C SST

\*\*\* For **OPTIONS** refer to the current Williams Price Guide