



epirefrigeration

KREA 220.9

CHEST FREEZER



FEATURES INCLUDE:

- Large storage capacity
- Electronic temperature control
- LED lighting
- Anti-fog doors

- High efficiency fan motor
- Optional customized graphic and coloured bumper
- Optional basket support

BAKER

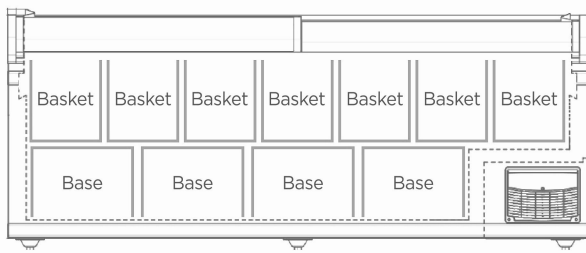
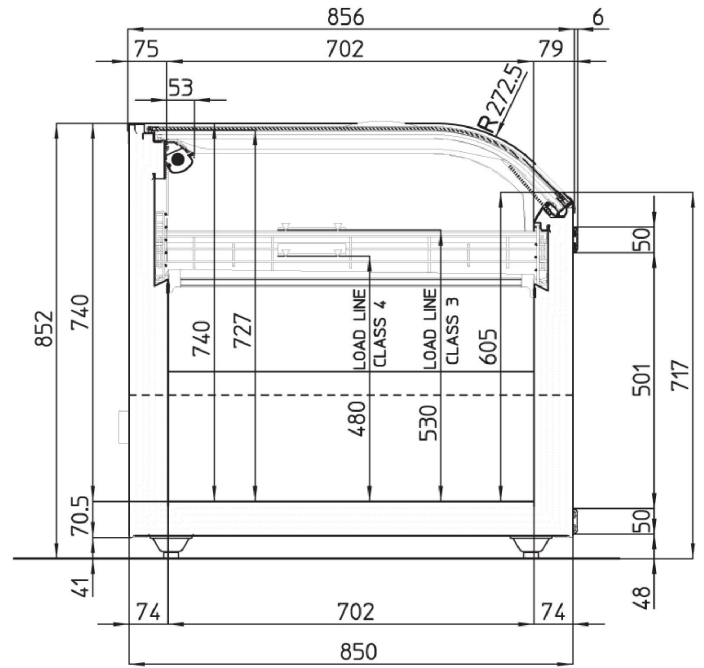
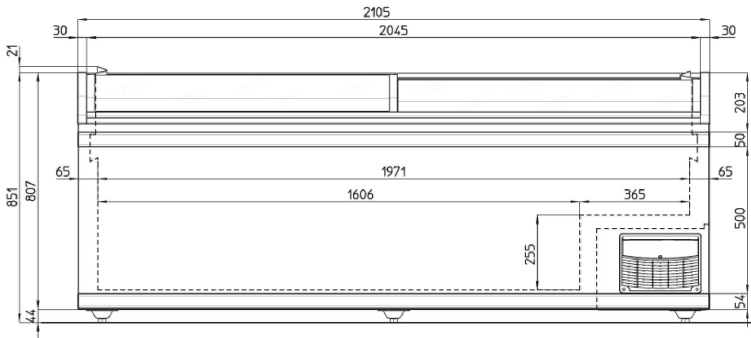
REFRIGERATION

Visit our website www.ajbaker.com.au or email us at email@ajbaker.com.au

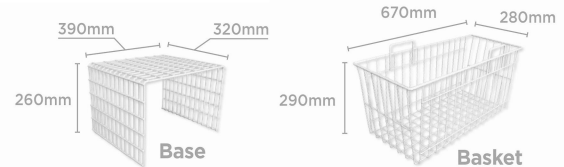
Image used for illustration only.

KREA 220.9

CHEST FREEZER



Base & Basket Layout



KREA	220.9
* Operating temp. (°C)	-25/-18
Refrigeration	Static/R290
Defrost	Semi-automatic
Power supply	230V/1Ph/10 Amp plug
Operating current (Amp)	2.5-2.6 (defrost)
Nominal power (W)	450-560 (defrost)
Energy consumption (kWh/24h)	6.6
Net Volume (LT)	668
Total length (mm)	2105
Total height (mm)	872
Total depth (mm)	899
Weight with packaging (kg)	184
Weight w/o packaging (kg)	149

Climate Class 3 (25°C, 60% hr)