



epitarefrigeration

# KREA 190.9

CHEST FREEZER



## FEATURES INCLUDE:

- Large storage capacity
- Electronic temperature control
- LED lighting
- Anti-fog doors

- High efficiency fan motor
- Optional customized graphic and coloured bumper
- Optional basket support

**BAKER**

REFRIGERATION

Visit our website [www.ajbaker.com.au](http://www.ajbaker.com.au) or email us at [email@ajbaker.com.au](mailto:email@ajbaker.com.au)

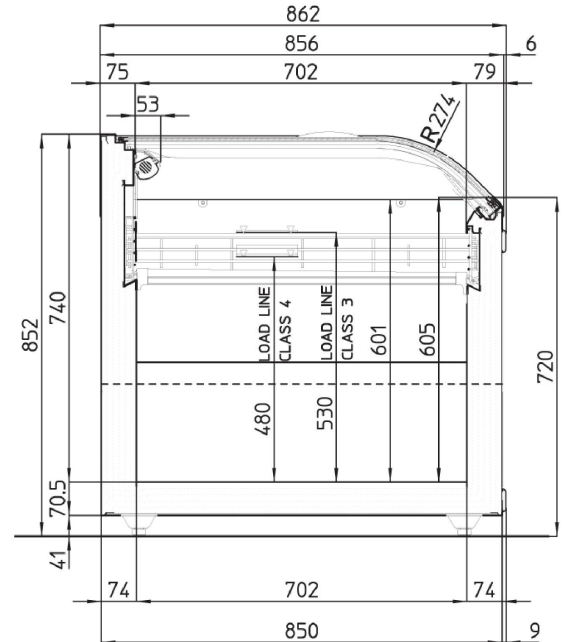
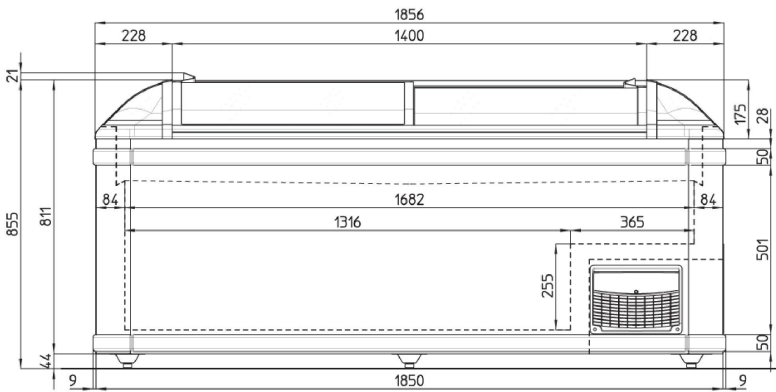
Image used for illustration only.

# KREA 190.9

CHEST FREEZER



eptarefrigeration



KREA	190.9
* Operating temp. (°C)	-25/-18
Refrigeration	Static/R290
Defrost	Semi-automatic
Power supply	230V/1Ph/10 Amp plug
Operating current (Amp)	2.8-3.5 (defrost)
Nominal power (W)	520-760 (defrost)
Energy consumption (kWh/24h)	6.9
Net Volume (LT)	525
Total length (mm)	1868
Total height (mm)	872
Total depth (mm)	862
Weight with packaging (kg)	161
Weight w/o packaging (kg)	115

Climate Class 3 (25°C, 60% hr)