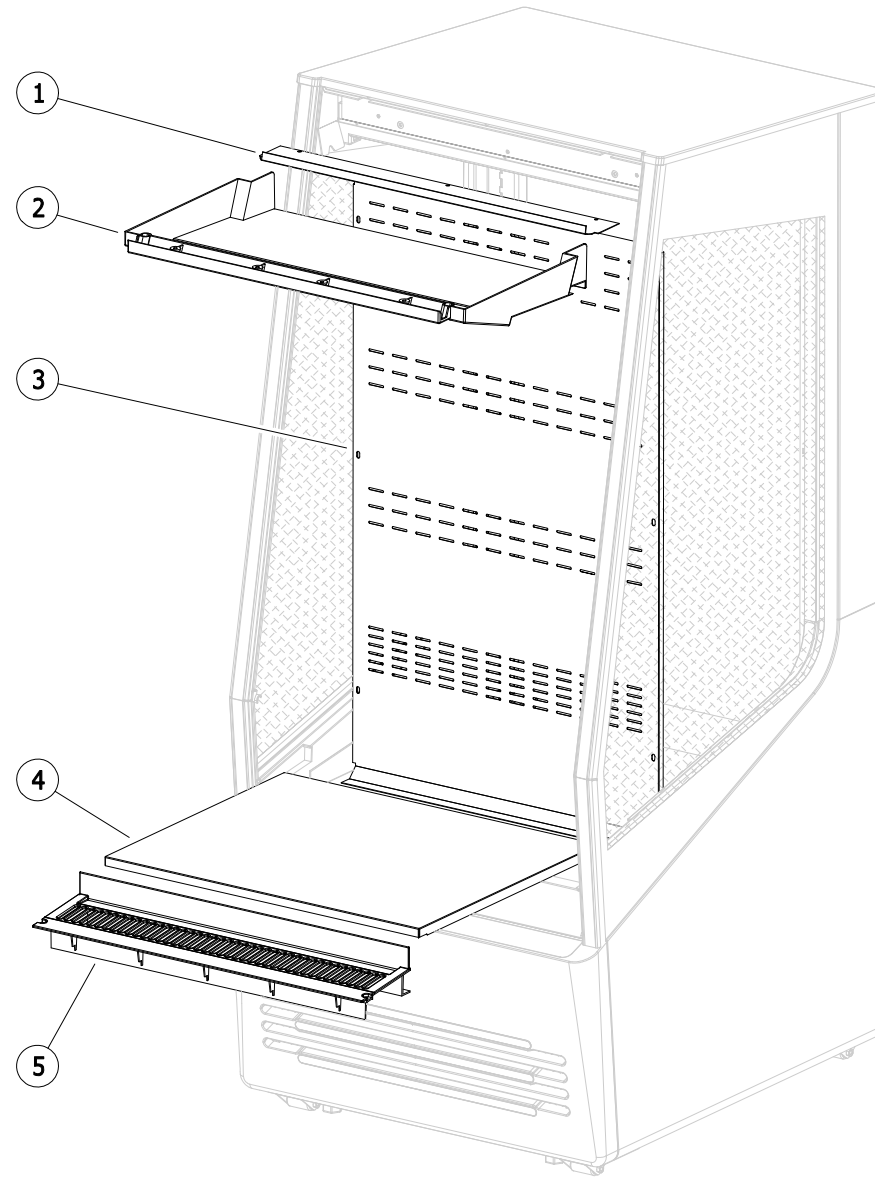




JOY 30 SPARE PARTS CATALOGUE

T01A - FRAME / STRUTTURA / STRUCTURE / STRUKTUR / STRUCTURA	3
TAB 01A - FRAME / STRUTTURA / STRUCTURE / STRUKTUR / STRUCTURA	From 4 To 8
T02A - AESTHETIC - TERMINAL END / ESTETICA - SPALLE / ESTHETIQUE - JOUES / DESIGN - SEITENWAND / ESTETICA - LATERAL	9
TAB 02A - AESTHETIC - TERMINAL END / ESTETICA - SPALLE / ESTHETIQUE - JOUES / DESIGN - SEITENWAND / ESTETICA - LATERAL	From 10 To 14
T03A - CONDENSING UNIT / GRUPPO REFRIGERANTE / UNITE DE CONDENSATION / VERFLUESSIGUNGSSTAZ / UNIDAD DE CONDENSACION	15
TAB 03A - CONDENSING UNIT / GRUPPO REFRIGERANTE / UNITE DE CONDENSATION / VERFLUESSIGUNGSSTAZ / UNIDAD DE CONDENSACION	From 16 To 20
T04A - EVAPORATION-VENTILATION / EVAPORAZIONE-VENTILAZIONE / EVAPORATION-VENTILATION / VERDUNSTUNG-VENTILATORBAUTEILE / EVAPORACION-VENTILACION	21
TAB 04A - EVAPORATION-VENTILATION / EVAPORAZIONE-VENTILAZIONE / EVAPORATION-VENTILATION / VERDUNSTUNG-VENTILATORBAUTEILE / EVAPORACION-VENTILACION	From 22 To 26
T05A - ELECTRICAL SYSTEM / IMPIANTO ELETTRICO / SYSTÈME ÉLECTRIQUE / ANSCHLUSSKASTEN ELEKTRISCH / SISTEMA ELECTRICO	27
TAB 05A - ELECTRICAL SYSTEM / IMPIANTO ELETTRICO / SYSTÈME ÉLECTRIQUE / ANSCHLUSSKASTEN ELEKTRISCH / SISTEMA ELECTRICO	From 28 To 32
T06A - LIGHTING / ILLUMINAZIONE / ECLAIRAGE / BELEUCHTUNGSTEILE / ILUMINACION	33
TAB 06A - LIGHTING / ILLUMINAZIONE / ECLAIRAGE / BELEUCHTUNGSTEILE / ILUMINACION	From 34 To 38
T07A - ACCESSORIES / ACCESSORI / ACCESSOIRES / ACCESSOIRES / ACCESSORIOS	39
TAB 07A - ACCESSORIES / ACCESSORI / ACCESSOIRES / ACCESSOIRES / ACCESSORIOS	From 40 To 44



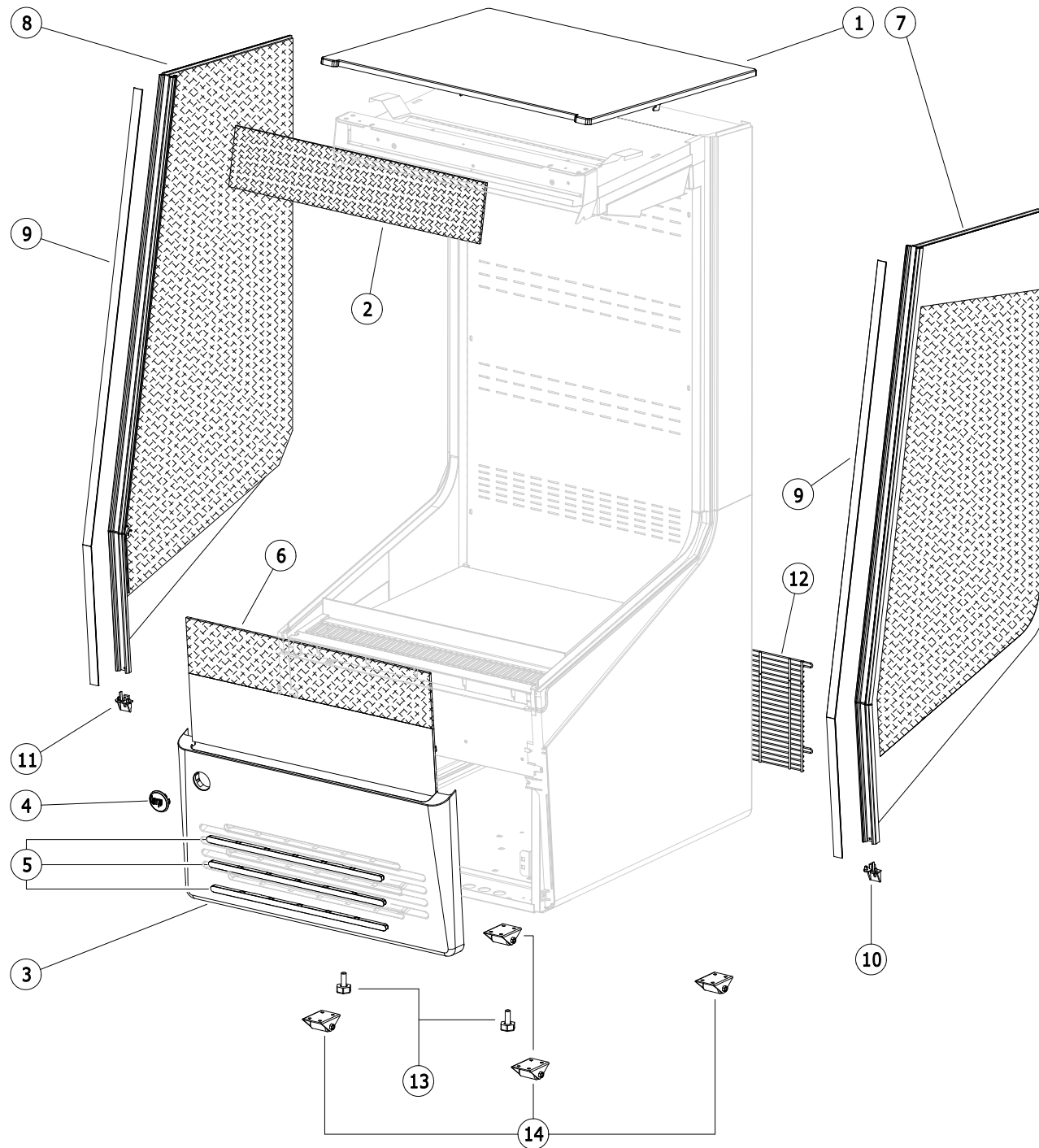
Ref.	Code	Description	Characteristic	Note	Q.ty x Pack	Statement
1	52296000	NIGHT BLIND COVER				
2	53221032	UPP. CONVEYOR WHITE	WHITE			
	53221031	UPP. CONVEYOR BLACK	BLACK			
3	50552000	PERFORED BACK L.888 WHITE	WHITE	I9K01148		
	60228000	PERFORED BACK L.888 WHITE	WHITE	I9K01429		
	52500000	PERFORED BACK L.888 BLACK	BLACK	I9K00952		
	60227000	PERFORED BACK L.888 BLACK	BLACK	I9K01430		
4	55496031	BOTTOM PLATE 546X440 WHITE	WHITE			
	55496032	BOTTOM PLATE 546X440 BLACK	BLACK			
5	52513000	INTERNAL GRID WHITE	WHITE			
	49820000	INTERNAL GRID BLACK	BLACK			

Ref.	Code	Description	Characteristic	Note	Q.ty x Pack	Statement
1	52296000	COPERTURA TENDA NOTTE				
2	53221032	COVOGLIATORE SUP. BIANCO	BIANCO			
	53221031	COVOGLIATORE SUP. NERO	NERO			
3	50552000	INTERCAPEDINE L.888 BIANCO	BIANCO	I9K01148		
	60228000	INTERCAPEDINE L.888 BIANCO	BIANCO	I9K01429		
	52500000	INTERCAPEDINE L.888 NERO	NERO	I9K00952		
	60227000	INTERCAPEDINE L.888 NERO	NERO	I9K01430		
4	55496031	PIANO DI FONDO 546X440 BIANCO	BIANCO			
	55496032	PIANO DI FONDO 546X440 NERO	NERO			
5	52513000	GRIGLIA INTERNA BIANCO	BIANCO			
	49820000	GRIGLIA INTERNA NERO	NERO			

Ref.	Code	Description	Characteristic	Note	Q.ty x Pack	Statement
1	52296000	COUVERTURE RIDEAU DE NUIT				
2	53221032	CONVOYEUR SUP. BLANC	BLANC			
	53221031	CONVOYEUR SUP. NOIR	NOIR			
3	50552000	GAINÉ L.888 BLANC	BLANC	I9K01148		
	60228000	GAINÉ L.888 BLANC	BLANC	I9K01429		
	52500000	GAINÉ L.888 NOIR	NOIR	I9K00952		
	60227000	GAINÉ L.888 NOIR	NOIR	I9K01430		
4	55496031	PLATEAU DE FOND 546X440 BLANC	BLANC			
	55496032	PLATEAU DE FOND 546X440 NOIR	NOIR			
5	52513000	GRILLE INTERIEURE BLANC	BLANC			
	49820000	GRILLE INTERIEURE NOIR	NOIR			

Ref.	Code	Description	Characteristic	Note	Q.ty x Pack	Statement
1	52296000	ABDECKUNG NACHTROLLO				
2	53221032	UPP. CONVEYOR WHITE	WEISS			
	53221031	UPP. CONVEYOR BLACK	SCHWARZ			
3	50552000	LUFLEITWAND HINTEN L.888 WEISS	WEISS	I9K01148		
	60228000	LUFLEITWAND HINTEN L.888 WEISS	WEISS	I9K01429		
	52500000	LUFLEITWAND HINTEN L.888 SCHWARZ	SCHWARZ	I9K00952		
	60227000	LUFLEITWAND HINTEN L.888 SCHWARZ	SCHWARZ	I9K01430		
4	55496031	BODENBLECH 546X440 WEISS	WEISS			
	55496032	BODENBLECH 546X440 SCHWARZ	SCHWARZ			
5	52513000	INTERNAL GRID WHITE	WEISS			
	49820000	INTERNAL GRID BLACK	SCHWARZ			

Ref.	Code	Description	Characteristic	Note	Q.ty x Pack	Statement
1	52296000	COBERTURA CORTINA NOCHE				
2	53221032	TRANSPORTADORES SUP. BLANCO	BLANCO			
	53221031	TRANSPORTADORES SUP. NEGRO	NEGRO			
3	50552000	RESPALDO L.888 BLANCO	BLANCO	I9K01148		
	60228000	RESPALDO L.888 BLANCO	BLANCO	I9K01429		
	52500000	RESPALDO L.888 NEGRO	NEGRO	I9K00952		
	60227000	RESPALDO L.888 NEGRO	NEGRO	I9K01430		
4	55496031	ESTANTE DE CUBA 546X440 BLANCO	BLANCO			
	55496032	ESTANTE DE CUBA 546X440 NEGRO	NEGRO			
5	52513000	PARILLA INTERIOR BLANC	BLANCO			
	49820000	PARILLA INTERIOR NEGRO	NEGRO			



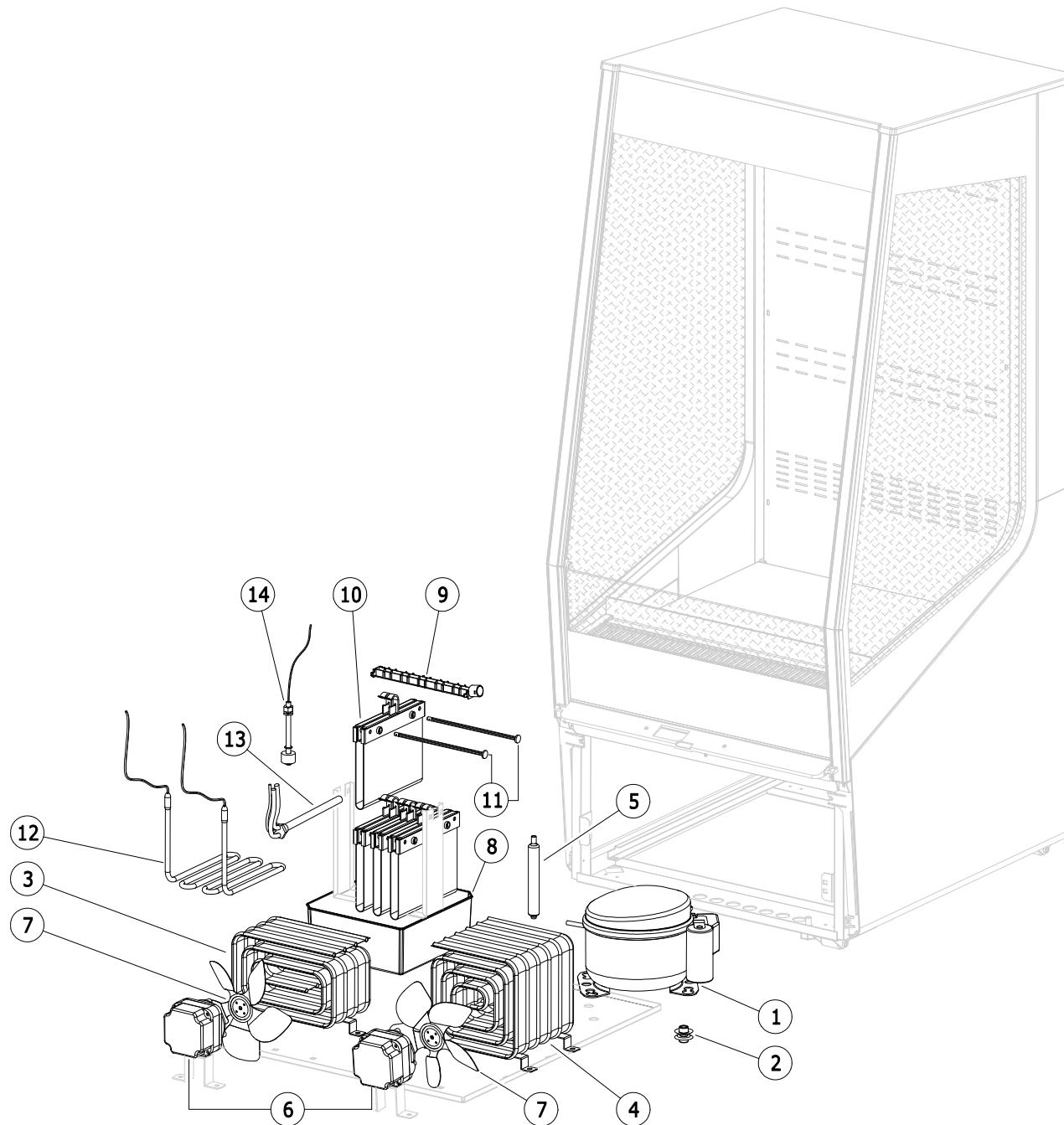
Ref.	Code	Description	Characteristic	Note	Q.ty x Pack	Statement
1	55487000	ROOF UPP. COVER WHITE	WHITE			
	49819000	ROOF UPP. COVER RAL7016	RAL7016			
2	50274000	UPP. GLASS 574X118				
3	49811033	FRONT GRID WHITE	WHITE			
	49811031	FRONT GRID RAL7016	RAL7016			
4	I9R01451	LOGO OPAL INSERT PANTONE301C	OPAL PANTONE301C	I9K00952		
	I9R01452	LOGO INSERT PANTONE301C	PANTONE301C	I9K01148		
5	49108031	GRID FRONT INSERT BLUE OPAL	BLUE OPAL	I9K00952		
	49108038	GRID FRONT INSERT PANTONE300C	PANTONE300C	I9K01148		
6	53165000	FRONT GLASS 563X255				
7	55453000	RH TERMINAL END WHITE	WHITE			
	52325000	RH TERMINAL END BLACK	BLACK			
8	55458000	LH TERMINAL END WHITE	WHITE			
	52324000	LH TERMINAL END BLACK	BLACK			
9	52335000	FRONT PROFILE L.1173 BLUE OPAL	BLUE OPAL	I9K00952		
	52333000	FRONT PROFILE L.1173 PANTONE300C	PANTONE300C	I9K01148		
10	52341032	LOW. RH CAP WHITE	WHITE			
	49821031	LOW. RH CAP RAL7016	RAL7016			
11	52345032	LOW. LH CAP WHITE	WHITE			
	49821032	LOW. LH CAP RAL7016	RAL7016			
12	52414000	REAR GRID BLACK	BLACK			
13	I0403014	EXAGONAL FOOT ø10				
14	I0402005	UNIDIRECTIONAL WHEEL				
	I0402022	PIROUETTING WHEEL WITH BRAKE				
	I0402017	PIROUETTING WHEEL				

Ref.	Code	Description	Characteristic	Note	Q.ty x Pack	Statement
1	55487000	COPERTURA SUP. TETTO BIANCO	BIANCO			
	49819000	COPERTURA SUP. TETTO RAL7016	RAL7016			
2	50274000	VETRO SUP. 574X118				
3	49811033	GRIGLIA FRONTALE BIANCO	BIANCO			
	49811031	GRIGLIA FRONTALE RAL7016	RAL7016			
4	I9R01451	INSERTO OPALE LOGO PANTONE301C	OPALE PANTONE301C	I9K00952		
	I9R01452	INSERTO LOGO PANTONE301C	PANTONE301C	I9K01148		
5	49108031	INSERTO ANT. GRIGLIA OPALE BLU	OPALE BLU	I9K00952		
	49108038	INSERTO ANT. GRIGLIA PANTONE300C	PANTONE300C	I9K01148		
6	53165000	VETRO ANT. 563X255				
7	55453000	SPALLA DX BIANCO	BIANCO			
	52325000	SPALLA DX NERO	NERO			
8	55458000	SPALLA SX BIANCO	BIANCO			
	52324000	SPALLA SX NERO	NERO			
9	52335000	PROFILO ANT. L.1173 OPALE BLU	OPALE BLU	I9K00952		
	52333000	PROFILO ANT. L.1173 PANTONE300C	PANTONE300C	I9K01148		
10	52341032	TAPPO DX INF. BIANCO	BIANCO			
	49821031	TAPPO DX INF. RAL7016	RAL7016			
11	52345032	TAPPO SX INF. BIANCO	BIANCO			
	49821032	TAPPO SX INF. RAL7016	RAL7016			
12	52414000	GRIGLIA POST. NERO	NERO			
13	I0403014	PIEDE				
14	I0402005	RUOTA				
	I0402022	RUOTA PIROETTANTE CON FRENO				
	I0402017	RUOTA PIROETTANTE				

Ref.	Code	Description	Characteristic	Note	Q.ty x Pack	Statement
1	55487000	COUVERTURE SUP. TOIT BLANC	BLANC			
	49819000	COUVERTURE SUP. TOIT RAL7016	RAL7016			
2	50274000	VERRE SUP. 574X118				
3	49811033	GRILLE AVANT BLANC	BLANC			
	49811031	GRILLE AVANT RAL7016	RAL7016			
4	I9R01451	INSTERT OPAL LOGO PANTONE301C	OPAL PANTONE301C	I9K00952		
	I9R01452	INSERT LOGO PANTONE301C	PANTONE301C	I9K01148		
5	49108031	INSERT AVANT GRILLE OPAL BLEU	OPAL BLEU	I9K00952		
	49108038	INSERT AVANT GRILLE PANTONE300C	PANTONE300C	I9K01148		
6	53165000	VERRE AVANT 536X255				
7	55453000	JOUE D BLANC	BLANC			
	52325000	JOUE D NOIR	NOIR			
8	55458000	JOUE G BLANC	BLANC			
	52324000	JOUE G NOIR	NOIR			
9	52335000	PROFIL AVANT L.1173 OPAL BLEU	OPAL BLEU	I9K00952		
	52333000	PROFIL AVANT L.1173 PANTONE300C	PANTONE300C	I9K01148		
10	52341032	BOUCHON D INF. BLANC	BLANC			
	49821031	BOUCHON D INF. RAL7016	RAL7016			
11	52345032	BOUCHON G INF. BLANC	BLANC			
	49821032	BOUCHON G INF. RAL7016	RAL7016			
12	52414000	GRILLE ARRIERE BLACK	NOIR			
13	I0403014	PIED HEXAGONAL ø10				
14	I0402005	ROUE UNIDIRECTIONNEL				
	I0402022	ROULETTES PIVOT AVEC FREIN				
	I0402017	ROULETTES PIVOT				

Ref.	Code	Description	Characteristic	Note	Q.ty x Pack	Statement
1	55487000	ROOF UPP. COVER WHITE	WEISS			
	49819000	ROOF UPP. COVER RAL7016	RAL7016			
2	50274000	SCHEIBE OBEREN 574X118				
3	49811033	FRONT GRID WHITE	WEISS			
	49811031	FRONT GRID RAL7016	RAL7016			
4	I9R01451	LOGO OPAL INSERT PANTONE301C	OPAL PANTONE301C	I9K00952		
	I9R01452	LOGO INSERT PANTONE301C	PANTONE301C	I9K01148		
5	49108031	GRID FRONT INSERT BLUE OPAL	BLAU OPAL	I9K00952		
	49108038	GRID FRONT INSERT PANTONE300C	PANTONE300C	I9K01148		
6	53165000	VORDERE SCHEIBE 536X255				
7	55453000	SEITENWAND R WEISS	WEISS			
	52325000	SEITENWAND R SCHWARZ	SCHWARZ			
8	55458000	SEITENWAND L WEISS	WEISS			
	52324000	SEITENWAND L SCHWARZ	SCHWARZ			
9	52335000	FRONT PROFILE L.1173 BLUE OPAL	BLAU OPAL	I9K00952		
	52333000	FRONT PROFILE L.1173 PANTONE300C	PANTONE300C	I9K01148		
10	52341032	KORK R UNTERTEIL WEISS	WEISS			
	49821031	KORK R UNTERTEIL RAL7016	RAL7016			
11	52345032	KORK L UNTERTEIL WEISS	WEISS			
	49821032	KORK L UNTERTEIL RAL7016	RAL7016			
12	52414000	REAR GRID BLACK	SCHWARZ			
13	I0403014	FUSS SECHSECKIG ø10				
14	I0402005	RAD UNIDIREKTIONAL				
	I0402022	PIROUETTING WHEEL WITH BRAKE				
	I0402017	PIROUETTING WHEEL				

Ref.	Code	Description	Characteristic	Note	Q.ty x Pack	Statement
1	55487000	COBERTURA SUP. TECHO BLANCO	BLANCO			
	49819000	COBERTURA SUP. TECHO RAL7016	RAL7016			
2	50274000	CRISTAL SUP. 574X118				
3	49811033	PARILLA ANT. BLANCO	BLANCO			
	49811031	PARILLA ANT. RAL7016	RAL7016			
4	I9R01451	INSERTO OPALO LOGO PANTONE 301C	OPALO PANTONE301C	I9K00952		
	I9R01452	INSERTO LOGO PANTONE301C	PANTONE301C	I9K01148		
5	49108031	INSERTO ANT. PARILLA OPALO AZUL	OPALO AZUL	I9K00952		
	49108038	INSERTO ANT. PARILLA PANTONE300C	PANTONE300C	I9K01148		
6	53165000	CRISTAL ANT. 546X255				
7	55453000	LATERAL D BLANCO	BLANCO			
	52325000	LATERAL D NEGRO	NEGRO			
8	55458000	LATERAL I BLANCO	BLANCO			
	52324000	LATERAL I NEGRO	NEGRO			
9	52335000	PERFIL ANT. L.1173 OPALO AZUL	OPALO AZUL	I9K00952		
	52333000	PERFIL ANT. L.1173 PANTONE300C	PANTONE300C	I9K01148		
10	52341032	TAPA D INF. BLANCO	BLANCO			
	49821031	TAPA D INF. RAL7016	RAL7016			
11	52345032	TAPA I INF. BLANCO	BLANCO			
	49821032	TAPA I INF. RAL7016	RAL7016			
12	52414000	PARILLA POST. NEGRO	NEGRO			
13	I0403014	PIE HEXAGONAL ø10				
14	I0402005	RUEDA UNIDIRECCIONAL				
	I0402022	RUEDA PIRUETANTE CON FRENO				
	I0402017	RUEDA PIRUETANTE				



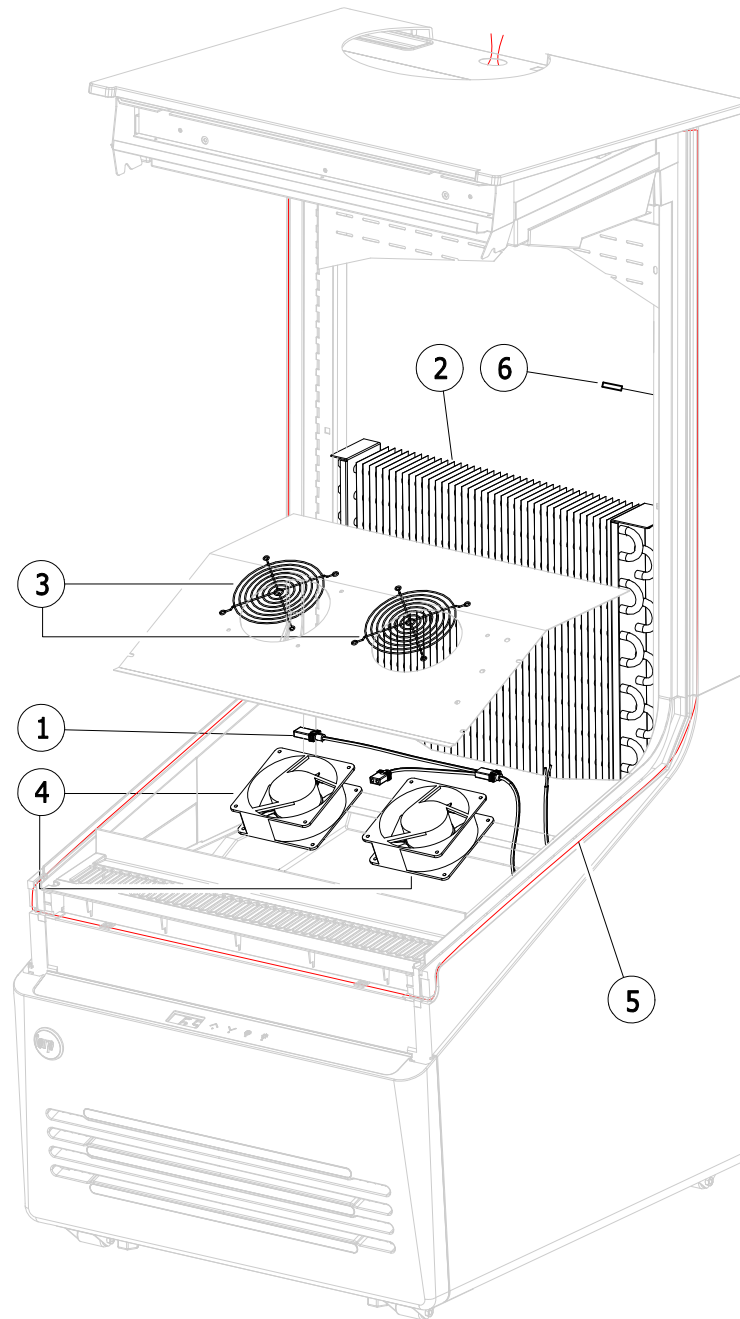
Ref.	Code	Description	Characteristic	Note	Q.ty x Pack	Statement
1	I0211070	COMPRESSOR				
2	I0403000	DAMPER FOOT				
3	I0130108	SPYRAL CONDENSER 118X210X125				
4	I0130114	SPYRAL CONDENSER 183X170X170				
5	46363000	DEHYDRATE FILTER 46363000				
6	53019000	MOTOR 9/14W 230V 50/60Hz				
7	I0407021	FAN BLADE Ø200 34°				
8	I0425131	DRIP TRAY 232X215X90	ABS			
	ISA20014	DRIP TRAY 216X201X100	STEEL	I9K01429 / I9K01430		
9	I0441202	WATER DRAIN				
10	50858000	ABSORBENT PANEL				
11	I3305310	ALIGNMENT PINCER				
12	43429000	SERPENTINE 200X180				
13	I3306749	HEATER 160W		I9K01429 / I9K01430		
14	I3300790	EVAPORATION WATER LEVEL SWITCH		I9K01429 / I9K01430		

Ref.	Code	Description	Characteristic	Note	Q.ty x Pack	Statement
1	I0211070	COMPRESSORE				
2	I0403000	PIEDE AMMORTIZZATORE				
3	I0130108	CONDENSATORE L.1260				
4	I0130114	CONDENSATORE L.1456				
5	46363000	FILTRO DEIDRATATORE FORI Ø6,2-3,2 CARTUCCIA Ø19				
6	53019000	MOTORE 9/14W 230V 50/60Hz				
7	I0407021	PALA PREMENTE Ø200				
8	I0425131	VASCHETTA 232X215X90	ABS			
	ISA20014	VASCHETTA 216X201X100	ACCIAIO	I9K01429 / I9K01430		
9	I0441202	TUBO SCARICO ACQUA				
10	50858000	PANNO ASSORBENTE				
11	I3305310	PERNO ALLINEAMENTO				
12	43429000	SERPENTINO EVAPORAZIONE ACQUA 200X180				
13	I3306749	RESISTENZA 160W		I9K01429 / I9K01430		
14	I3300790	REGOLATORE DI LIVELLO ACQUA		I9K01429 / I9K01430		

Ref.	Code	Description	Characteristic	Note	Q.ty x Pack	Statement
1	I0211070	COMPRESSEUR				
2	I0403000	PIED AMORTISSEUR				
3	I0130108	CONDENSATEUR ENROULE 118X210X125				
4	I0130114	CONDENSATEUR ENROULE 183X170X170				
5	46363000	FILTRE DESHYDRATEUR 46363000				
6	53019000	MOTEUR 9/14W 230V 50/60Hz				
7	I0407021	VENTILATEUR Ø200 34°				
8	I0425131	EGOUTTOIR 232X215X90	ABS			
	ISA20014	EGOUTTOIR 216X201X100	ACIER	I9K01429 / I9K01430		
9	I0441202	ECOULEMENT				
10	50858000	PANNEAU ABSORBANT				
11	I3305310	EPINGLE ALIGNEMENT				
12	43429000	SERPENTINE 200X180				
13	I3306749	RESISTANCE 160W				I9K01429 / I9K01430
14	I3300790	REGULATEUR DE NIVEAU L143				I9K01429 / I9K01430

Ref.	Code	Description	Characteristic	Note	Q.ty x Pack	Statement
1	I0211070	VERDICHTER				
2	I0403000	DAMPER FOOT				
3	I0130108	SPYRAL CONDENSER 118X210X125				
4	I0130114	SPYRAL CONDENSER 183X170X170				
5	46363000	FILTERTROCKNER 46363000				
6	53019000	MOTOR 9/14W 230V 50/60Hz				
7	I0407021	FAN BLADE Ø200 34°				
8	I0425131	TROPFSCHALE 232X215X90	ABS			
	ISA20014	TROPFSCHALE 216X201X100	STEEL	I9K01429 / I9K01430		
9	I0441202	TAUWASSER-ABLAUF				
10	50858000	ABSORBENT PANEL				
11	I3305310	ALIGNMENT Pincer				
12	43429000	SERPENTINE 200X180				
13	I3306749	WIDERSTAND 160W		I9K01429 / I9K01430		
14	I3300790	WASSERSTANDSREGLER		I9K01429 / I9K01430		

Ref.	Code	Description	Characteristic	Note	Q.ty x Pack	Statement
1	I0211070	COMPRESOR				
2	I0403000	PIE AMORTIGUADOR				
3	I0130108	CONDENSADOR ENVUELTO 118X210X125				
4	I0130114	CONDENSADOR ENVUELTO 183X170X170				
5	46363000	FILTRO DESHIDRATADOR 46363000				
6	53019000	MOTOR 9/14W 230V 50/60Hz				
7	I0407021	VENTULA Ø200 34°				
8	I0425131	CUBETA 232X215X90	ABS			
	ISA20014	CUBETA 216X201X100	ACERO	I9K01429 / I9K01430		
9	I0441202	DESAGUE				
10	50858000	PANEL ABSORBENTE				
11	I3305310	ALFILER ALINEACION				
12	43429000	SERPENTINA 200X180				
13	I3306749	RESISTENCIA 160W		I9K01429 / I9K01430		
14	I3300790	REGULADOR DE NIVEL AGUA		I9K01429 / I9K01430		



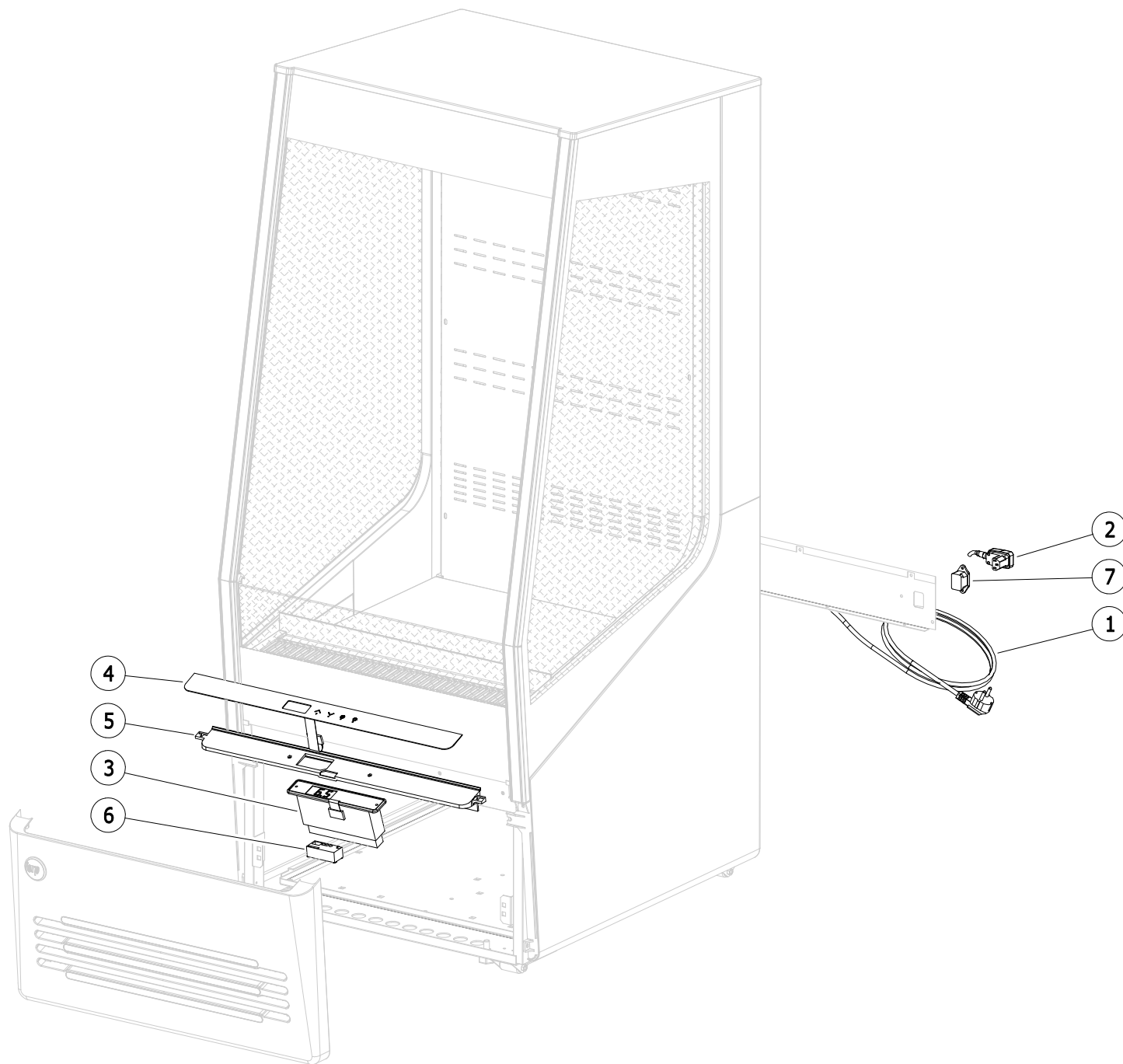
Ref.	Code	Description	Characteristic	Note	Q.ty x Pack	Statement
1	I0225234	FANMOTOR CABLE				
2	I0211041	EVAPORATOR L.475				
3	I0427017	FANMOTOR GRID				
4	I0225236	FANMOTOR 22W				
5	I0205793	ANTIFOG HEATER 10W/m L.850+3300+850				
6	I0205788	NTC PROBE L.300				

Ref.	Code	Description	Characteristic	Note	Q.ty x Pack	Statement
1	I0225234	CAVO MOTOVENTILATORE				
2	I0211041	EVAPORATORE L.475				
3	I0427017	GRIGLIA MOTOVENTOLA				
4	I0225236	MOTOVENTILATORE 22W				
5	I0205793	RESISTENZA ANTIAPPANNANTE 10W/m L.850+3300+850				
6	I0205788	SONDA NTC L.300				

Ref.	Code	Description	Characteristic	Note	Q.ty x Pack	Statement
1	I0225234	CABLE MOTOVENTILATEUR				
2	I0211041	EVAPORATEUR L.4475				
3	I0427017	GRILLE MOTOVENTILATEUR				
4	I0225236	MOTOVENTILATEUR 22W				
5	I0205793	RESISTANCE ANTIBUEE 10W/m L.850+3300+850				
6	I0205788	SONDE NTC L.300				

Ref.	Code	Description	Characteristic	Note	Q.ty x Pack	Statement
1	I0225234	VENTILATOR KABEL				
2	I0211041	VERDAMPFER L.475				
3	I0427017	VENTILATOR-ABDECKUNG				
4	I0225236	VENTILATOR 22W				
5	I0205793	ANTINEBEL HEIZUNG 10W/m L.850+3300+850				
6	I0205788	FUHLER NTC L.300				

Ref.	Code	Description	Characteristic	Note	Q.ty x Pack	Statement
1	I0225234	CABLE MOTOVENTILADOR				
2	I0211041	EVAPORADOR L.475				
3	I0427017	PARILLA MOTOVENTILADOR				
4	I0225236	MOTOVENTILADOR 22W				
5	I0205793	RESISTENCIA ANTIVAHO 10W/m L.850+3300+850				
6	I0205788	SONDA NTC L.300				



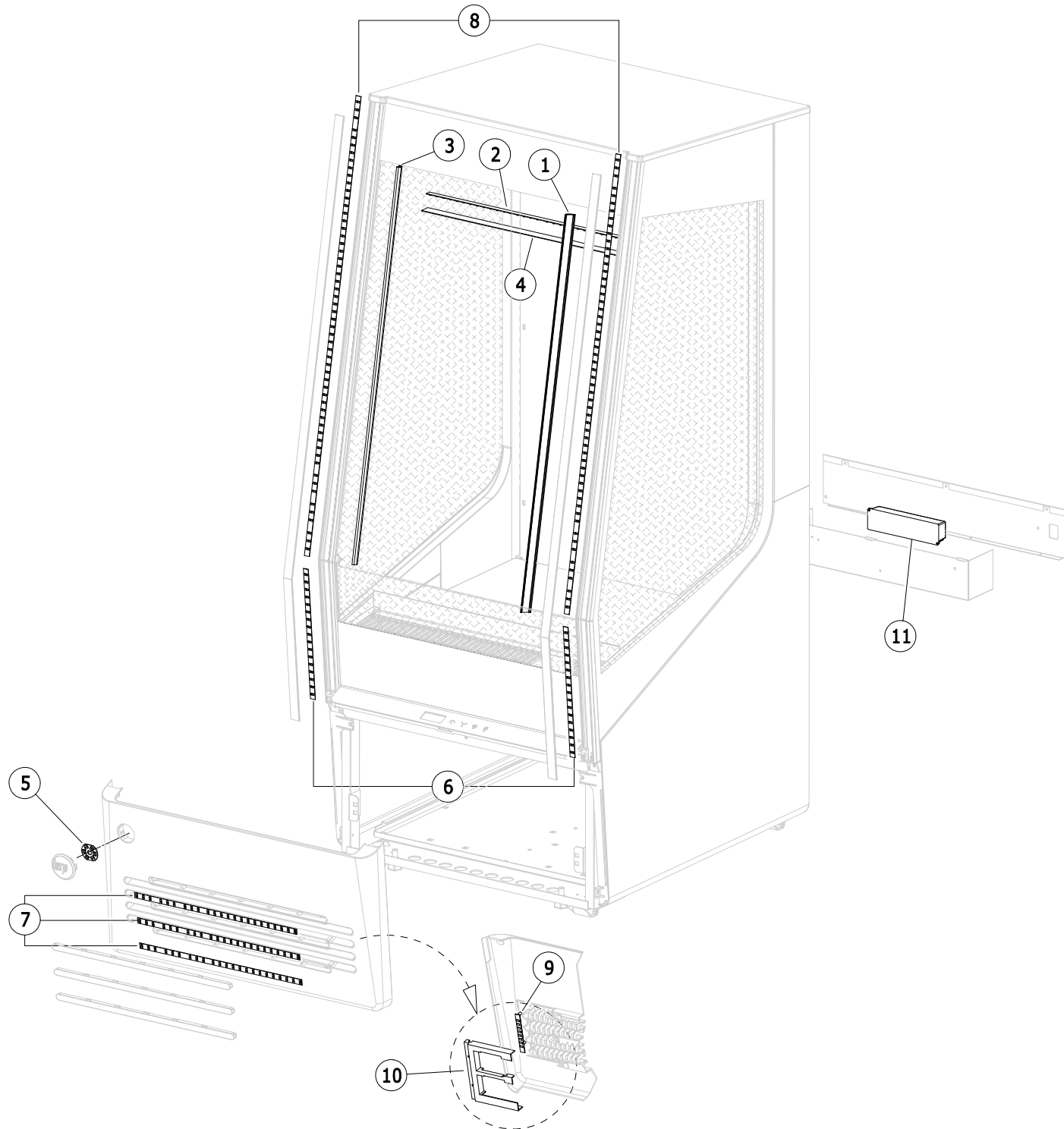
Ref.	Code	Description	Characteristic	Note	Q.ty x Pack	Statement
1	I3306141	SUPPLY CABLE L.2500		SCHUKO PLUG		
	I3306041	SUPPLY CABLE L.2500		AUSTRALIA PLUG		
2	I3305182	IN-LINE SOCKET IEC 90° 10A				
3	51826000	CONTROLLER		I9K01148 / I9K01429		
	51827000	CONTROLLER		I9K00952 / I9K01430		
4	49732000	FRONT KEYPAD		I9K01148 / I9K01429		
	49941000	FRONT KEYPAD BACKLIGHTED		I9K00952 / I9K01430		
5	49814000	CONTROLLER FRONT SUPPORT	BLACK			
6	51833000	POWER SUPPLIER 0,25W 5V		I9K00952 / I9K01430		
7	I3306031	PLUG CONNECTOR IEC 10A				

Ref.	Code	Description	Characteristic	Note	Q.ty x Pack	Statement
1	I3306141	CAVO ALIMENTAZIONE L.2500		SPINA SCHUKO		
	I3306041	CAVO ALIMENTAZIONE L.2500		SPINA AUSTRALIA		
2	I3305182	PRESA VOLANTE IEC 90° 10A				
3	51826000	CONTROLLORE		I9K01148 / I9K01429		
	51827000	CONTROLLORE		I9K00952 / I9K01430		
4	49732000	PULSANTIERA ANT.		I9K01148 / I9K01429		
	49941000	PULSANTIERA ANT. RETROILLUMINATA		I9K00952 / I9K01430		
5	49814000	SUPPORTO ANT. CONTROLLORE	NERO			
6	51833000	ALIMENTATORE 0,25W 5V		I9K00952 / I9K01430		
7	I3306031	CONNETTORE IEC 10A				

Ref.	Code	Description	Characteristic	Note	Q.ty x Pack	Statement
1	I3306141	CABLE ALIMENTACION L.2500		PRISE SCHUKO		
	I3306041	CABLE ALIMENTACION L.2500		PRISE AUSTRALIA		
2	I3305182	FICHE FEMELLE IEC 90° 10A				
3	51826000	REGULATEUR		I9K01148 / I9K01429		
	51827000	REGULATEUR		I9K00952 / I9K01430		
4	49732000	CLAVIER FACADE		I9K01148 / I9K01429		
	49941000	CLAVIER FACADE RETROECLAIRES		I9K00952 / I9K01430		
5	49814000	SUPPORT AVANT REGULATEUR	NOIR			
6	51833000	ALIMENTATION 0,25W 5V		I9K00952 / I9K01430		
7	I3306031	CONNECTEUR IEC 10A				

Ref.	Code	Description	Characteristic	Note	Q.ty x Pack	Statement
1	I3306141	KABEL-VERSORGUNG L.2500		SCHUKO STECKER		
	I3306041	KABEL-VERSORGUNG L.2500		AUSTRALIA STECKER		
2	I3305182	IN-LINE SOCKET IEC 90° 10A				
3	51826000	REGLER		I9K01148 / I9K01429		
	51827000	REGLER		I9K00952 / I9K01430		
4	49732000	FRONT KEYPAD		I9K01148 / I9K01429		
	49941000	FRONT KEYPAD BACKLIGHTED		I9K00952 / I9K01430		
5	49814000	CONTROLLER FRONT SUPPORT	SCHWARZ			
6	51833000	VORSCHALTGERAT 0,25W 5V		I9K00952 / I9K01430		
7	I3306031	PLUG CONNECTOR IEC 10A				

Ref.	Code	Description	Characteristic	Note	Q.ty x Pack	Statement
1	I3306141	CABLE ALIMENTACION L.2500		ESPINA SCHUKO		
	I3306041	CAVO ALIMENTACION L.2500		ESPINA AUSTRALIA		
2	I3305182	JACK RUEDA IEC 90° 10A				
3	51826000	CONTROLADOR		I9K01148 / I9K01429		
	51827000	CONTROLADOR		I9K00952 / I9K01430		
4	49732000	PULSADOR ANT.		I9K01148 / I9K01429		
	49941000	PULSADOR ANT. RETROILUMINADO		I9K00952 / I9K01430		
5	49814000	SOPORTE ANT. CONTROLADOR	NEGRO			
6	51833000	ALIMENTACION 0,25W 5V		I9K00952 / I9K01430		
7	I3306031	CONECTOR IEC 10A				



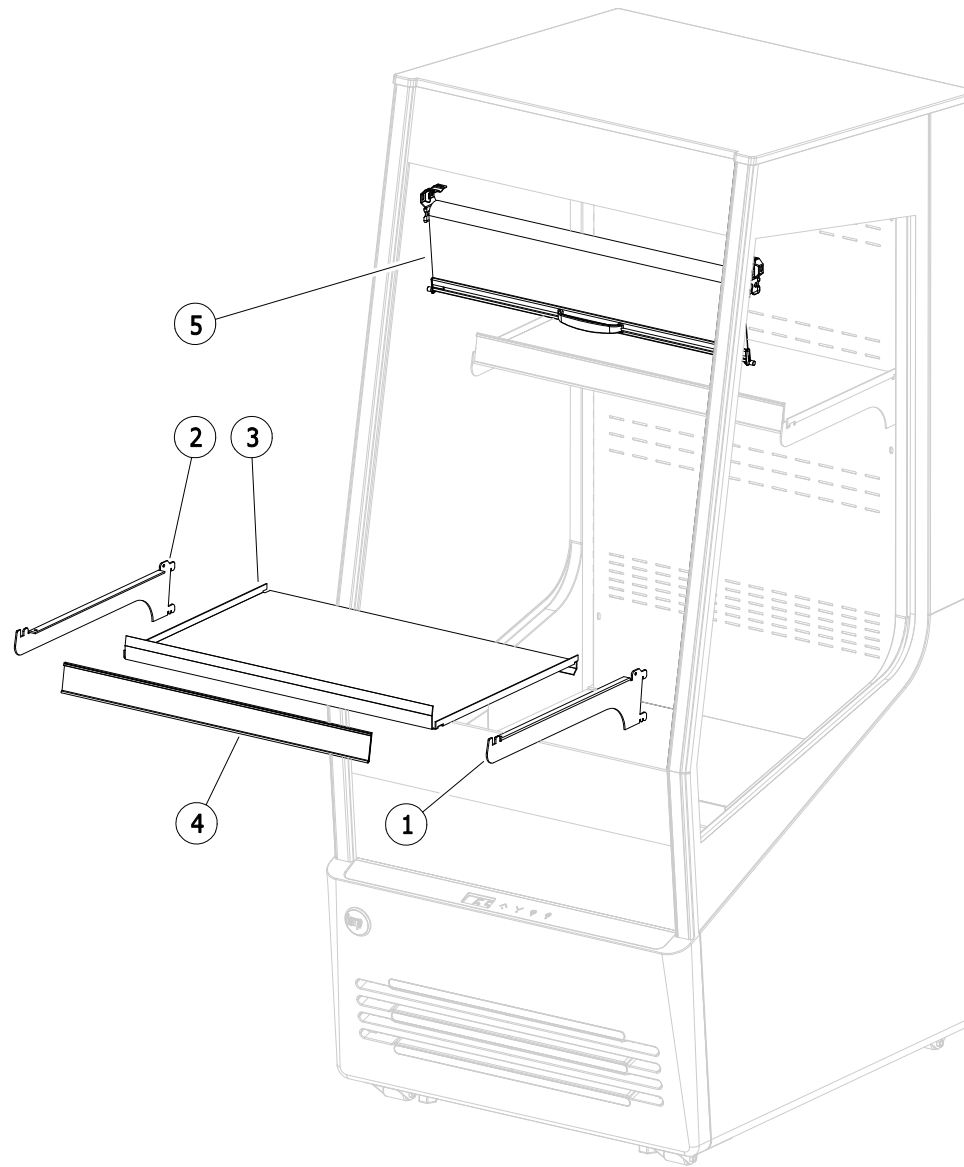
Ref.	Code	Description	Characteristic	Note	Q.ty x Pack	Statement
1	53196000	LED LAMP RH 6,5W L.760 6500K	6500K			
2	53210000	LED LAMP 5W L.482 6500K	6500K			
3	53197000	LED LAMP LH 6,5W L.760 6500K	6500K			
4	I3967722	LAMP COVER				
5	52496000	LED LAMP 0,75W Ø25 BLUE	BLUE	I9K00952 / I9K01430		
6	53259000	LED LAMP 1,8W L.265 BLUE	BLUE	I9K00952 / I9K01430		
7	52403000	LED LAMP 2,6W L.382 BLUE	BLUE	I9K00952 / I9K01430		
8	53258000	LED LAMP 6W L.882 BLUE	BLUE	I9K00952 / I9K01430		
9	52656000	LED TERMINAL BOARD		I9K00952 / I9K01430		
10	49813000	CABLES COVER		I9K00952 / I9K01430		
11	I3305394	POWER SUPPLIER 60W 24V		I9K00952 / I9K01430		
	I3305249	POWER SUPPLIER 35W 24V				

Ref.	Code	Description	Characteristic	Note	Q.ty x Pack	Statement
1	53196000	LAMPADA LED DX 6,5W L.760 6500K	6500K			
2	53210000	LAMPADA LED 5W L.482 6500K	6500K			
3	53197000	LAMPADA LED SX 6,5W L.760 6500K	6500K			
4	I3967722	COPERTURA LAMPADA				
5	52496000	LAMPADA LED 0,75W Ø25 BLU	BLU	I9K00952 / I9K01430		
6	53259000	LAMPADA LED 1,8W L.265 BLU	BLU	I9K00952 / I9K01430		
7	52403000	LAMPADA LED 2,6W L.382 BLU	BLU	I9K00952 / I9K01430		
8	53258000	LAMPADA LED 6W L.882 BLU	BLU	I9K00952 / I9K01430		
9	52656000	MORSETTIERA LED		I9K00952 / I9K01430		
10	49813000	COPERTURA CAVI GRIGLIA		I9K00952 / I9K01430		
11	I3305394	ALIMENTATORE LED LPV 60-24		I9K00952 / I9K01430		
	I3305249	ALIMENTATORE LED LPV 35-24				

Ref.	Code	Description	Characteristic	Note	Q.ty x Pack	Statement
1	53196000	LAMPE LED D 6,5W L.760 6500K	6500K			
2	53210000	LAMPE LED 5W L.482 6500K	6500K			
3	53197000	LAMPE LED G 6,5W L.760 6500K	6500K			
4	I3967722	COUVERTURE LAMPE				
5	52496000	LAMPE LED 0,75W Ø25 BLEU	BLEU	I9K00952 / I9K01430		
6	53259000	LAMPE LED 1,8W L.265 BLEU	BLEU	I9K00952 / I9K01430		
7	52403000	LAMPE LED 2,6W L.382 BLEU	BLEU	I9K00952 / I9K01430		
8	53258000	LAMPE LED 6W L.882 BLEU	BLEU	I9K00952 / I9K01430		
9	52656000	BORNIER LED		I9K00952 / I9K01430		
10	49813000	COUVERTURE CABLES		I9K00952 / I9K01430		
11	I3305394	ALIMENTATION 60W 24V		I9K00952 / I9K01430		
	I3305249	ALIMENTATION 35W 24V				

Ref.	Code	Description	Characteristic	Note	Q.ty x Pack	Statement
1	53196000	LAMPE LED R 6,5W L.760 6500K	6500K			
2	53210000	LAMPE LED 5W L.482 6500K	6500K			
3	53197000	LAMPE LED L 6,5W L.760 6500K	6500K			
4	I3967722	ABDECKUNG LAMPE				
5	52496000	LAMPE LED 0,75W Ø25 BLAU	BLAU	I9K00952 / I9K01430		
6	53259000	LAMPE LED 1,8W L.265 BLAU	BLAU	I9K00952 / I9K01430		
7	52403000	LAMPE LED 2,6W L.382 BLAU	BLAU	I9K00952 / I9K01430		
8	53258000	LAMPE LED 6W L.882 BLAU	BLAU	I9K00952 / I9K01430		
9	52656000	LED TERMINAL BOARD		I9K00952 / I9K01430		
10	49813000	ABDECKUNG-KABEL		I9K00952 / I9K01430		
11	I3305394	VORSCHALTGERAT 60W 24V		I9K00952 / I9K01430		
	I3305249	VORSCHALTGERAT 35W 24V				

Ref.	Code	Description	Characteristic	Note	Q.ty x Pack	Statement
1	53196000	LAMPARA LED D 6,5W L.760 6500K	6500K			
2	53210000	LAMPARA LED 5W L.482 6500K	6500K			
3	53197000	LAMPARA LED I 6,5W L.760 6500K	6500K			
4	I3967722	COBERTURA LAMPARA				
5	52496000	LAMPARA LED 0,75W Ø25 AZUL	AZUL	I9K00952 / I9K01430		
6	53259000	LAMPARA LED 1,8W L.265 AZUL	AZUL	I9K00952 / I9K01430		
7	52403000	LAMPARA LED 2,6W L.382 AZUL	AZUL	I9K00952 / I9K01430		
8	53258000	LAMPARA LED 6W L.882 AZUL	AZUL	I9K00952 / I9K01430		
9	52656000	BORNERA LED		I9K00952 / I9K01430		
10	49813000	COBERTURA CABLES		I9K00952 / I9K01430		
11	I3305394	ALIMENTACION 60W 24V		I9K00952 / I9K01430		
	I3305249	ALIMENTACION 35W 24V				



Ref.	Code	Description	Characteristic	Note	Q.ty x Pack	Statement
1	57861000	RH BRACKET WHITE	WHITE			
	58036000	LOW RH BRACKET WHITE	WHITE			
	58038000	UPP. RH BRACKET WHITE	WHITE			
	57862000	RH BRACKET BLACK	BLACK			
	58030000	LOW. RH BRACKET BLACK	BLACK			
	58037000	UPP. RH BRACKET BLACK	BLACK			
	2	58424000	LH BRACKET WHITE	WHITE		
58418000		LOW LH BRACKET WHITE	WHITE			
58420000		UPP. LH BRACKET WHITE	WHITE			
58423000		LH BRACKET BLACK	BLACK			
58417000		LOW. LH BRACKET BLACK	BLACK			
58419000		UPP. LH BRACKET BLACK	BLACK			
3		57858000	SHELF 536X328 WHITE	WHITE		
	58024000	LOW. SHELF 536X358 WHITE	WHITE			
	58028000	UPP. SHELF 536X278 WHITE	WHITE			
	57859000	SHELF 536X328 BLACK	BLACK			
	58014000	LOW SHELF 536X358 BLACK	BLACK			
	58029000	UPP. SHELF 536X278 BLACK	BLACK			
	4	56066000	TICKETHOLDER L.527 H.40 WHITE	WHITE		
53285000		TICKETHOLDER L.527 H.40 BLACK	BLACK			
5	52490000	NIGHT BLIND L.537				

Ref.	Code	Description	Characteristic	Note	Q.ty x Pack	Statement
1	57861000	MENSOLA DX BIANCO	BIANCO			
	58036000	MENSOLA DX INF. BIANCO	BIANCO			
	58038000	MENSOLA DX SUP. BIANCO	BIANCO			
	57862000	MENSOLA DX NERO	NERO			
	58030000	MENSOLA DX INF. NERO	NERO			
	58037000	MENSOLA DX SUP. NERO	NERO			
	2	58424000	MENSOLA SX BIANCO	BIANCO		
58418000		MENSOLA SX INF. BIANCO	BIANCO			
58420000		MENSOLA SX SUP. BIANCO	BIANCO			
58423000		MENSOLA SX NERO	NERO			
58417000		MENSOLA SX INF. NERO	NERO			
58419000		MENSOLA SX SUP. NERO	NERO			
3		57858000	RIPIANO 536X328 BIANCO	BIANCO		
	58024000	RIPIANO INF 536X358 BIANCO	BIANCO			
	58028000	RIPIANO SUP 536X278 BIANCO	BIANCO			
	57859000	RIPIANO 536X328 NERO	NERO			
	58014000	RIPIANO INF 536X358 NERO	NERO			
	58029000	RIPIANO SUP 536X278 NERO	NERO			
	4	56066000	PORTAPREZZI L.527 H.40 BIANCO	BIANCO		
53285000		PORTAPREZZI L.527 H.40 NERO	NERO			
5	52490000	TENDA NOTTE				

Ref.	Code	Description	Characteristic	Note	Q.ty x Pack	Statement
1	57861000	CONSOLE D BLANC	BLANC			
	58036000	CONSOLE D INF. BLANC	BLANC			
	58038000	CONSOLE D SUP. BLANC	BLANC			
	57862000	CONSOLE D NOIR	NOIR			
	58030000	CONSOLE D INF. NOIR	NOIR			
	58037000	CONSOLE D SUP. NOIR	NOIR			
	2	58424000	CONSOLE G BLANC	BLANC		
58418000		CONSOLE G INF. BLANC	BLANC			
58420000		CONSOLE G SUP. BLANC	BLANC			
58423000		CONSOLE G NOIR	NOIR			
58417000		CONSOLE G INF. NOIR	NOIR			
58419000		CONSOLE G SUP. NOIR	NOIR			
3	57858000	ETAGERE 536X328 BLANC	BLANC			
	58024000	ETAGERE INF 536X358 BLANC	BLANC			
	58028000	ETAGERE SUP 536X278 BLANC	BLANC			
	57859000	ETAGERE 536X328 NOIR	NOIR			
	58014000	ETAGERE INF 536X358 NOIR	NOIR			
	58029000	ETAGERE SUP 536X278 NOIR	NOIR			
4	56066000	PORTEPRIX L.527 H.40 BLANC	BLANC			
	53285000	PORTEPRIX L.527 H.40 NOIR	NOIR			
5	52490000	RIDEAU DE NUIT L.537				

Ref.	Code	Description	Characteristic	Note	Q.ty x Pack	Statement
1	57861000	KONSOLE R WEISS	WEISS			
	58036000	KONSOLE R UNTERTEIL. WEISS	WEISS			
	58038000	KONSOLE R OBEREN. WEISS	WEISS			
	57862000	KONSOLE R SCHWARZ	SCHWARZ			
	58030000	KONSOLE R UNTERTEIL. SCHWARZ	SCHWARZ			
	58037000	KONSOLE R OBEREN. SCHWARZ	SCHWARZ			
	2	58424000	KONSOLE L WEISS	WEISS		
58418000		KONSOLE L UNTERTEIL. WEISS	WEISS			
58420000		KONSOLE L OBEREN. WEISS	WEISS			
58423000		KONSOLE L SCHWARZ	SCHWARZ			
58417000		KONSOLE L UNTERTEIL. SCHWARZ	SCHWARZ			
58419000		KONSOLE L OBEREN. SCHWARZ	SCHWARZ			
3	57858000	ETAGERE 536X328 WEISS	WEISS			
	58024000	ETAGERE UNTERTEIL 536X358 WEISS	WEISS			
	58028000	ETAGERE OBEREN 536X278 WEISS	WEISS			
	57859000	ETAGERE 536X328 SCHWARZ	SCHWARZ			
	58014000	ETAGERE UNTERTEIL 536X358 SCHWARZ	SCHWARZ			
	58029000	ETAGERE OBEREN 536X278 SCHWARZ	SCHWARZ			
4	56066000	PREISSCHIENE L.527 H.40 WEISS	WEISS			
	53285000	PREISSCHIENE L.527 H.40 SCHWARZ	SCHWARZ			
5	52490000	NACHTROLLO L.537				

Ref.	Code	Description	Characteristic	Note	Q.ty x Pack	Statement
1	57861000	MENSULA D BLANCO	BLANCO			
	58036000	MENSULA D INF. BLANCO	BLANCO			
	58038000	MENSULA D SUP. BLANCO	BLANCO			
	57862000	MENSULA D NEGRO	NEGRO			
	58030000	MENSULA D INF. NEGRO	NEGRO			
	58037000	MENSULA D SUP. NEGRO	NEGRO			
	2	58424000	MENSULA I BLANCO	BLANCO		
58418000		MENSULA I INF. BLANCO	BLANCO			
58420000		MENSULA I SUP. BLANCO	BLANCO			
58423000		MENSULA I NEGRO	NEGRO			
58417000		MENSULA I INF. NEGRO	NEGRO			
58419000		MENSULA I SUP. NEGRO	NEGRO			
3	57858000	ESTANTE 536X328 BLANCO	BLANCO			
	58024000	ESTANTE INF 536X358 BLANCO	BLANCO			
	58028000	ESTANTE SUP 536X278 BLANCO	BLANCO			
	57859000	ESTANTE 536X328 NEGRO	NEGRO			
	58014000	ESTANTE INF 536X358 NEGRO	NEGRO			
	58029000	ESTANTE SUP 536X278 NEGRO	NEGRO			
4	56066000	PORTAPRECIOS L.527 H.40 BLANCO	BLANCO			
	53285000	PORTAPRECIOS L.527 H.40 NEGRO	NEGRO			
5	52490000	CORTINA NOCHE L.537				



Epta

Advanced Solutions for your Store

Follow us on:      by Epta