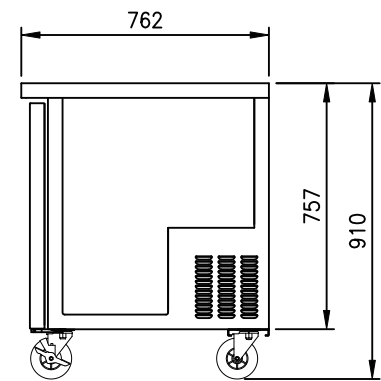
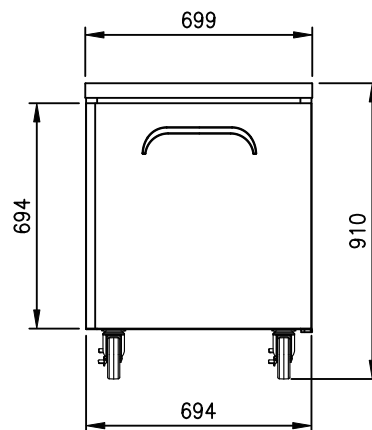
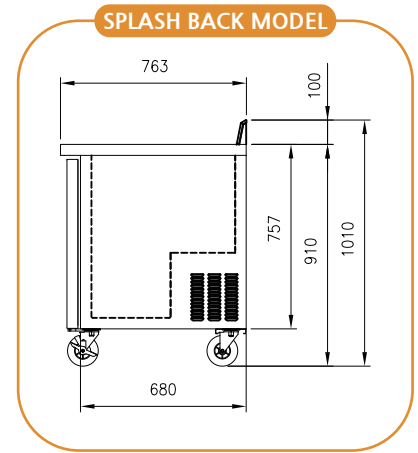
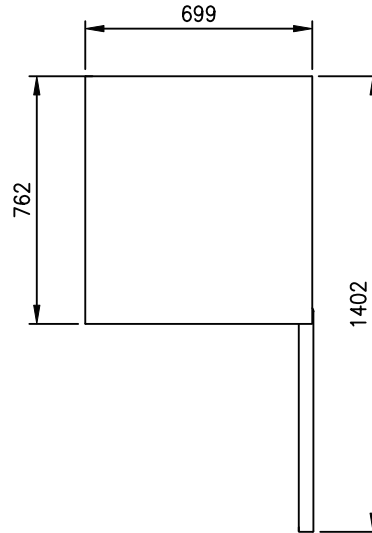


REAR MOUNT UNDERBENCH

FUR-28 / FUF-28



FEATURES

- Auto-closing doors & stopper
- Magnetic door gasket
- Locking dividers
- Stainless steel hood lid covers
- Stainless steel finished top, front, sides and doors
- PE coated sturdy wire shelves
- Rear-mount compressor for enhanced air flow
- 5" casters (brakes at front)
- Accommodates 15cm deep pan
- (* pans are optional)

TEMPERATURE

- Fridge: 0°C ~ 5°C
- Freezer: -18°C

OPTIONAL MODELS

- Drawer model
- 3" or 4" casters
- Splash back model (worktop)

Model	Capacity (l)	Exterior Dimension (mm)				Net Weight (kg)	Gross Weight (kg)	PowerSupply	Amps	Voltage (V/Hz/Ø)	Watt	HP	Refrigerant	No. Shelves	No. Door / Drawer
		W	D	H	H**										
FUR-28	186	699	762	910	1,010	61	65	10A	2.0	220/50,60/1	320	1/5	R-134a	1	1
FUF-28	186	699	762	910	1,010	65	69	10A	2.8	240/50/1	360(D:344)	3/8	R-134a	1	1

* Exterior height includes 5" for caster height.
 * Design and specifications subject to change without notice.
 * Actual shipping weight may differ due to extra packing materials for product protection.
 ** H: Splash back model