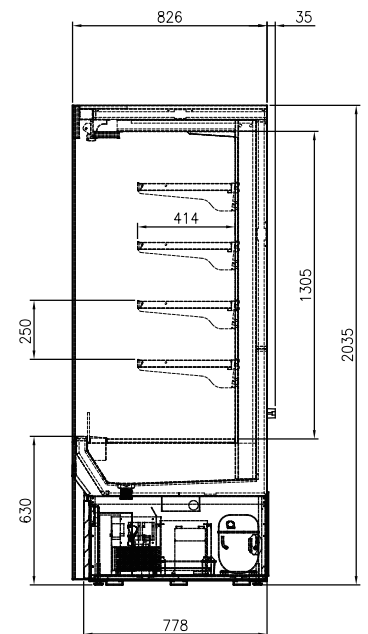
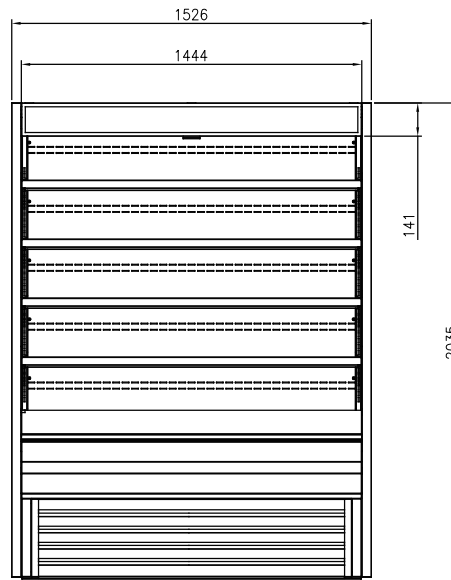
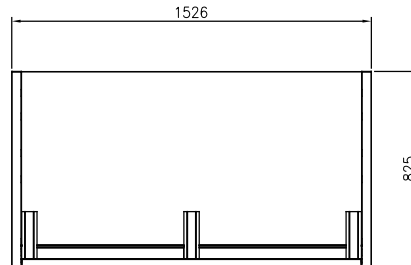


# OPEN DISPLAY FRIDGE

**FOD-60VS**



### FEATURES

- LED lights for each shelves
- Transparent night curtain for energy efficiency
- Angle adjustable shelves
- LED sign panel

- Leg levelers available
- 4" casters
- Digital temperature display

### TEMPERATURE

- 0°C ~ 5°C

### OPTIONAL MODELS

- Remote model
- Electronic control with exterior digital display

Model	Capacity (ℓ)	Exterior Dimension (mm)			Net Weight (kg)	Gross Weight (kg)	Amps	Power Supply	Voltage (V/Hz/Ø)	Watt	HP	Refrigerant	No. Shelf	No. Night Curtain
		W	D	H										
FOD-60VS	959	1,526	826	2,035	268	287	8.5	15A	240/50/1	1850	1	R-404A	4	1

\* Design and specifications subject to change without notice  
 \* Actual shipping weight may differ due to extra packing materials for product protection.  
 \* The height DOES NOT include the 4" caster (125mm)