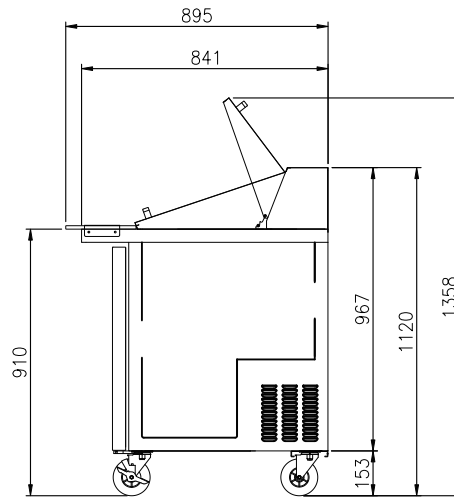
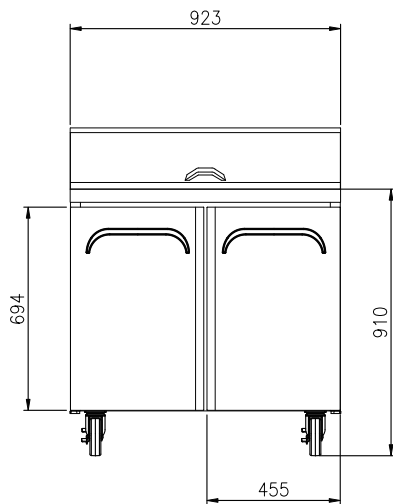
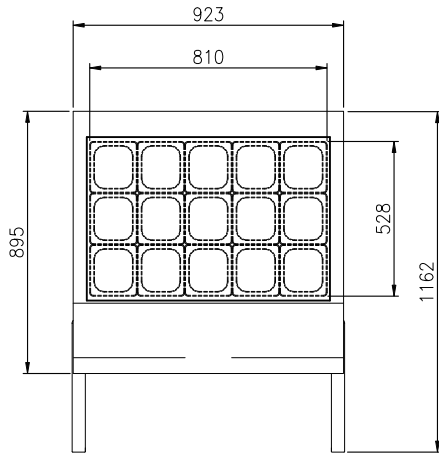


MEGATOP PREP TABLE

FMU-36



FEATURES

- Auto-closing doors & stopper
- Stainless steel finished front, sides and doors
- Stainless steel hood lid covers
- Locking dividers
- 244mm reversible cutting board
- PE coated sturdy wire shelves
- Rear-mount compressor for enhanced airflow
- Airflow over the pans
- 5" casters (brakes at front)
- Accommodates 15cm deep pan (* pans are optional)

TEMPERATURE

- 0°C ~ 5°C

OPTIONAL MODELS

- Drawer model (custom-made)
- Drawer mixed model (custom-made)
- 3" or 4" casters

Model	Capacity (ℓ)	Exterior Dimension (mm)			Net Weight (kg)	Gross Weight (kg)	Power Supply	Amps	Voltage (V/Hz/Ø)	Watt	HP	Refrigerant	No. Door	No. Pans (1/6")
		W	D	H										
FMU-36	252	923	895	1,120	92	98	10A	2.0	240/50/1	320	1/5	R-134a	2	15

* The heights include the caster (153mm)
 * Design and specifications subject to change without notice
 * Actual shipping weight may differ due to extra packing materials for product protection.