

120cm Alfresco S/Steel Canopy

RANGEHOOD

PRODUCT CODE: **ERB120SS 2**



FEATURES:

- + 304 grade stainless steel for outdoor use
- + 3 speed motor
- + 2000m³/hr extraction capacity
- + Decibel rating: Low 52dB, Medium 60dB, High 65dB
- + x4 1.5W LED lights
- + 8* stainless steel baffle filters
- + Electronic control with LCD display
- + 1200mm*800mm coverage
- + 150mm flue diameter (2 vent kits required)

3 SPEED MOTOR

This rangehood provides the option of 3 different speed levels ensuring you have the option to use your rangehood at a low, medium or high level of operation.

HIGH EXTRACTION CAPACITY

The extraction capacity of 2000m³/hr provides strength and power to this stylish rangehood.

LOW NOISE LEVELS

The motor in the ERB120SS2 has been designed to provide maximum extraction with minimum noise. Decibel Ratings: Low 52dB, Medium 60dB, High 65dB

COMMERCIAL STYLE BAFFLE FILTERS

Easy clean, stainless steel baffle filters are designed to capture steam & moisture, whilst removing exhaust & odors.

Electrical Requirements	Rangehood is supplied with 10amp cord & plug.
Decibel Rating	52-60-65dB
Available Ventilation Kits	RHKE65EU Wall – Eave vent kit RHKMR65EU Universal metal roof kit (includes flashing) RHKTR65EU Universal tile roof kit (includes flashing) *Two vent kits needed for this canopy. *This rangehood can not be recirculated.
Weight	40.00kg (net) / 49.00kg (gross)
Barcode	9347726021249

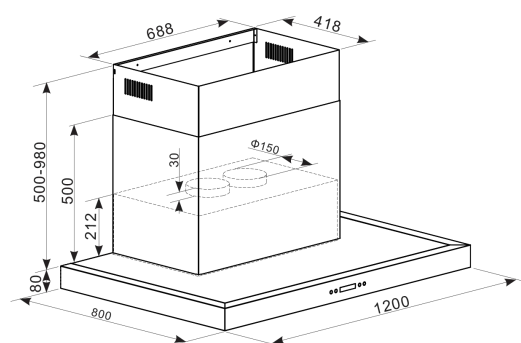


eurocooking



Warranty

INSTALLATION DIAGRAM



INSTALLATION

Installation is recommended by a qualified installer, please refer to the product manual for full installation instructions.

- o It is recommended that the rangehood should be installed 1200mm above the barbecue.
- o It is recommended that the rangehood should be installed 650mm above the cooking appliance.

HELPFUL TIPS

- + Leave your range hood on for 15 minutes after the cooking of the food to remove all odors, steam etc.
- + The dishwasher-safe cassette filters need to be cleaned after approximately 2 months of standard operation
- + It is also recommended that fumes from the range hood be ducted out into the atmosphere.
- + Turn off the range hood before attempting to clean

FILTER CLEANING INFORMATION

Baffle filter: Requires cleaning monthly, as this will ensure no interruptions with airflow operation.