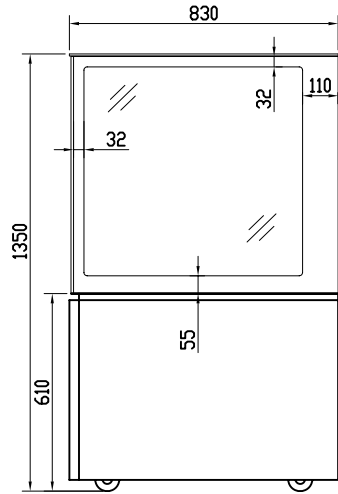
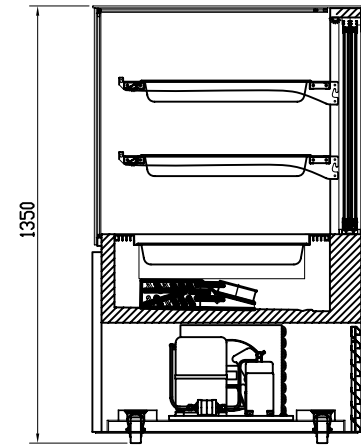


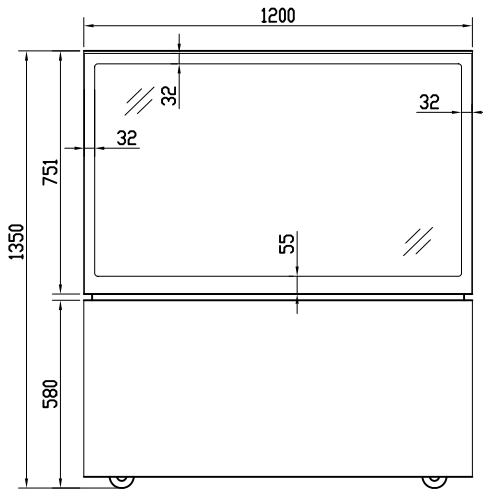
BACK
后视图



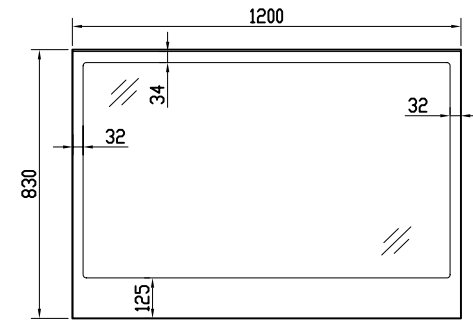
SIDE VIEW
左侧视图



SECTION VIEW
左侧剖视图



ELEVATION
前视图



PLAN
顶视图

Material	Outer tank	Black Snow sand Stainless steel
	Inner tank	304 mirror steel
Ambient temperature	35℃, avoid sunlight	
Ambient humidity	65%	
Temperature range	+2/+8℃	
Cooling system	Air cooling	
Compressor	SECOP	
Refrigerant	R134a	
Lighting	warm LED Light	
Voltage	220V 50HZ 1PHASE	
Plug	Standard 10A Plug & Power cord	
Tolerance	≤1000mm时	±1mm
	≤2000mm时	±2mm
Confirmed signature/stamp:		
Date:		

Project No : 项目编号:	Drawn: 绘图:	付阳
Project: 项目名称:	Date: 日期:	18/12/2016
Title: 产品名称:	Units: 单位:	mm
Drawing No: 图纸编号:	Qty 数量:	1
	Checked 审查:	萧振兴
	Approved 批准:	陈可

Royal-Kincool®

Royal-Kincool Refrigeration Equipment Co.,Ltd
 TEL:+86(0)760 22219078
 FAX:+86(0)760 22217686
 E-MAIL:SalesChina04@royal-kincool.com

Please do not change the product uses and structure ! ! ! !

Alteration By 修改	Date 日期	DESCRIPTION 修改内容