

Three Solid Swing Door CounterLine

Range: BackBar

SKOPE ID: CL003S

Dimensions: 2190 mm (W) × 680 mm (D) × 830 mm (H)*

Capacity: 533 L

* Height with castors is adjustable from 820 to 835.

Project: _____

Item #: _____



A solid door under-counter bar fridge designed to merchandise ready-to-serve cold beverages and food in bars, restaurants, clubs, pubs, and cafés. With M1 compliance it is engineered to serve cold food and drinks at 1°C to 4°C (or adjustable up to 15°C) in ambient environments of up to 40°C. Made from powder-coated, galvanised steel with colour options, it can also be upgraded to full stainless-steel construction. The doors and cabinet are fitted with built-in retractable tabs to enable locking via padlock. The fridge uses R290 natural refrigerant for ultra-low-energy consumption, low heat discharge and low noise output and can be provided in remote versions. The side-mounted fully removable refrigeration cartridge (with left and right options) is front-breathing and can be removed in line with best practice for safe servicing of flammable refrigerants. The fridge includes a controller that connects to a free app to enable the user to set temperatures and alerts, monitor temperatures and energy, and more. The fridge is certified to all Australian and New Zealand refrigeration and electrical safety standards



Warranty



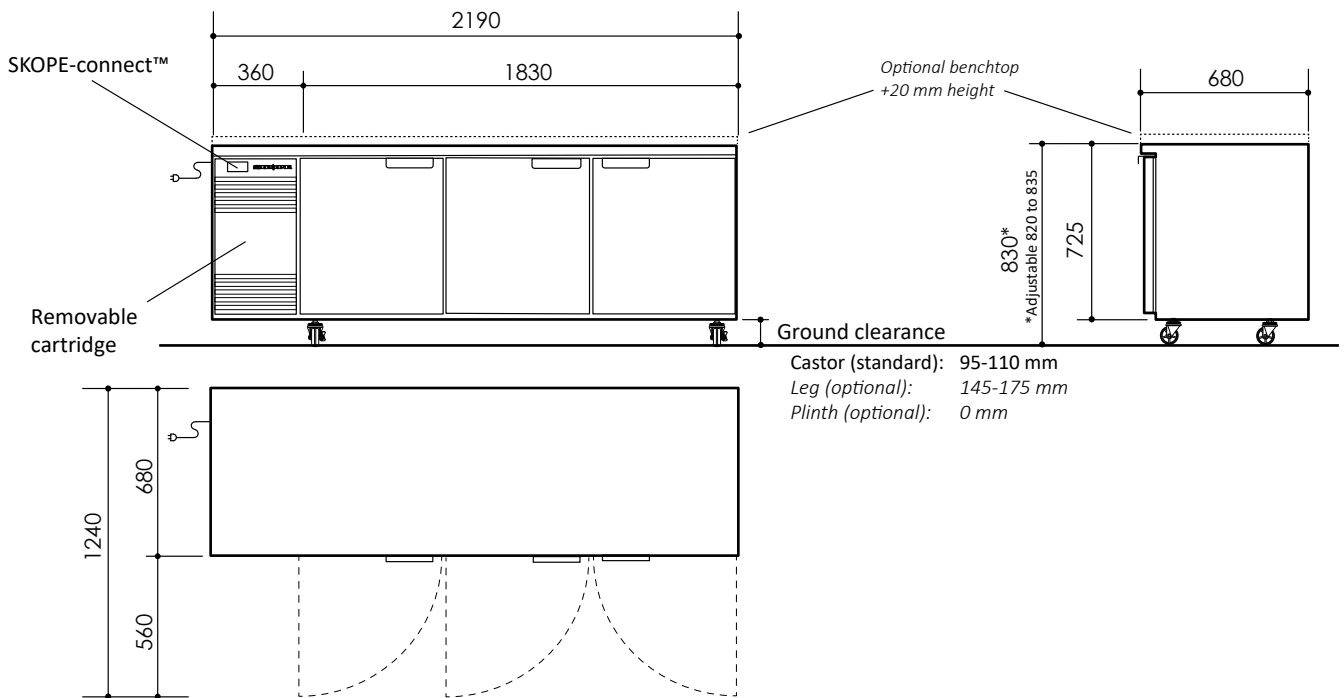
Natural Refrigerant



GEMS



SKOPE-connect



Cabinet

Type	CounterLine
Finish	Powdercoat galvanised steel or stainless steel
Insulation	Type PU foam
	Thickness (mm) 50
	Blowing Agent Cyclo-iso pentane (C5H10/C5H12)
Doors	Type Solid swing door (l)
	Opening Size Height (mm) 538 Width (mm) 511
Shelving	Six adjustable height plastic-coated wire shelves 2 × inner shelf (547W × 530D), 4 × outer shelf (605W × 530D)
Lighting*	1 × 24 W, cool white (5500-6500K) LED strip on cabinet ceiling

Dimensions†

	External	Internal	Packed
Width (mm)	2190	1730	TBC
Depth (mm)	680	565	TBC
Height (mm)	830 (std. castors)	545	TBC
	725 (plinth mount)		
Weight (kg)	232	TBC	
Capacity (L)	533		
Footprint (m²)	1.49		

Ventilation (mm)

Top	Sides	Rear
Not required	Not required	Not required

Product Loading

Facing	330 ml can	52	600 ml bottle	46
Loading	330 ml can	416	600 ml bottle	322

* Accessible via the free SKOPE-connect™ app.

† Allow for dimensional tolerances when installing the cabinet(s).

Performance

Product Temperature Range (°C)	1 to 4 (adjustable* from 0 to 15)
Maximum Ambient Temperature (°C)	40
Sound Level (dB(A))	Standard < 66
	Hush Mode* < 62

Greenhouse and Energy Minimum Standards (GEMS)

Star Rating	6
Product Temperature Class	M1 (-1 to 5°C)
Total Energy Consumption	2.17 kWh/24 h
Annual Running Costs	\$238 (@ \$0.30/kWh)

Electrical

Supply	220-240 volts a.c., 50 Hz, single phase supply
Cord	1.9 m power cord with 3-pin, 10 amp plug
Current draw (A)	2.6

Refrigeration

Controller	SCS Connect (SKOPE-connect™ compatible)
System Type	Removable cartridge
Cartridge Weight (kg)	24
Refrigerant/Charge	R290/81 g
Nominal Capacity (W)	650
Heat Rejection (W)	Average 90 Peak 110
Remote Duty	n.a.
Defrost Type	Automatic, off-cycle
Drainage	No plumbing required



CL.3.SSW
on the SKOPE website