

# BC2SS-80



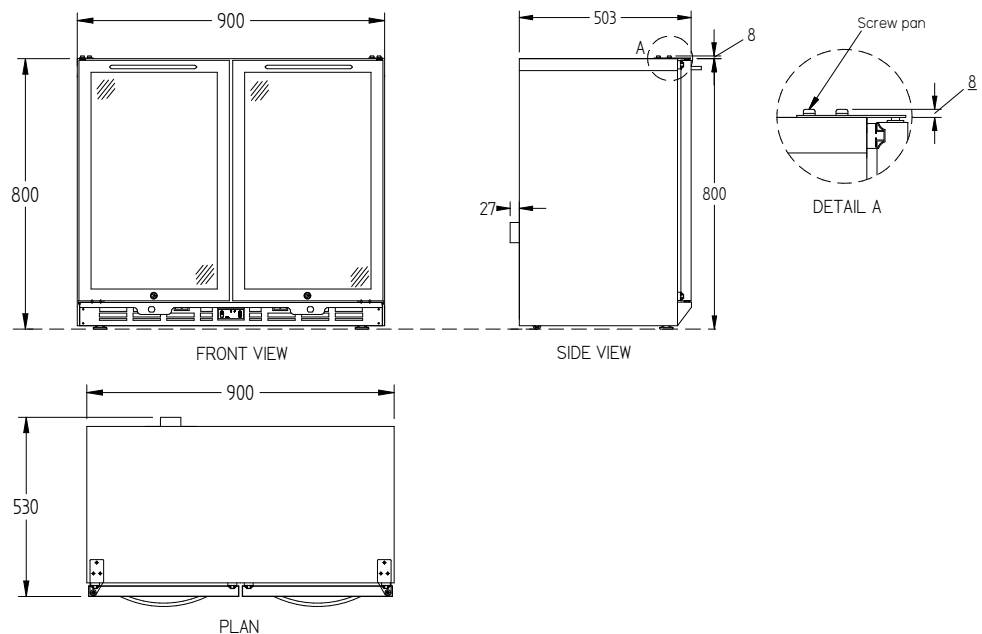
CATEGORY GENERAL COUNTERS  
& BACK BARS

RANGE **Bottle cooler**

UNIT REFRIGERATOR

TYPE SELF CONTAINED

DOORS 2



## SPECIFICATIONS

CAPACITY LITRES	370
TEMPERATURE	4°C / 10°C
DIMENSIONS - W X D X H MM	900 W x 530 D x 800 H
WEIGHT UNPACKED (KG)	90
DOOR TYPE	Standard: GD (Glass Door)
FINISH (INTERIOR AND EXTERIOR EXCLUDING REAR AND UNDER)	SS (Stainless Steel)
SHELVES/DOOR	2

## ELECTRICAL

POWER SUPPLY	10 amp
POWER CABLE LENGTH (METRES)	2
RUNNING AMPS	2

## GAS TYPE

REFRIGERANT	R134a
-------------	-------

\*\*\* For **OPTIONS** refer to the current Williams Price Guide