

AQGDMF2DW / AQGDMF2DB



AQGDMF2DW



AQGDMF2DB

The Avem Quirks range of refrigerators and freezers offers high quality, affordable units that meet the everyday needs of Retail and Catering. These units are made to Avem Quirks' standards to ensure consistent holding temperatures are met for all products.

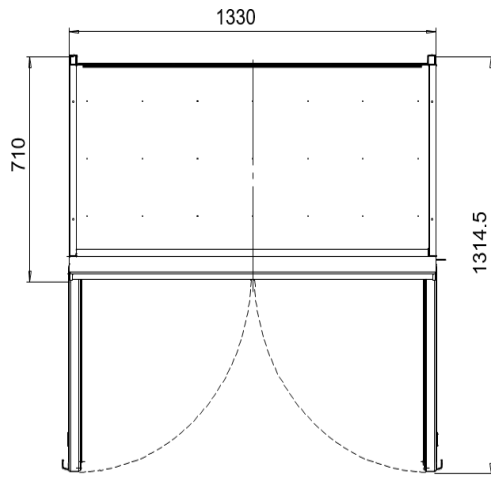
**Suitability**



**Features**

- Black or white colour options
- Electronic control with temperature display
- Double glazed doors
- Maximum ambient temperature - 43°C
- Integral lock
- Self contained
- LED lighting
- GEMS Registration Number: ARC1511

**AQGDMF2DW / AQGDMF2DB**

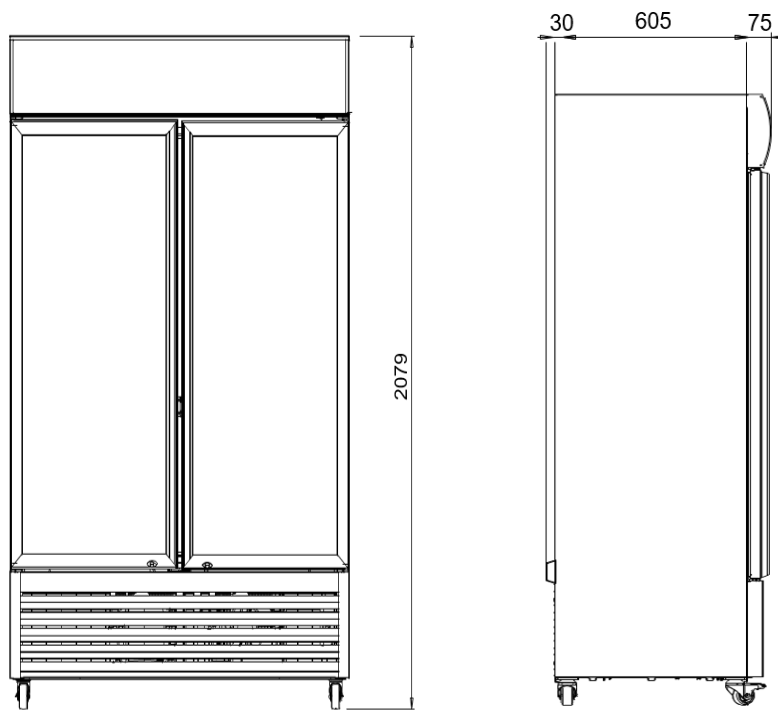


**MEASUREMENTS PER SHELF:** 607 mm x 457 mm

**DECAL SIZING:**

**SIDE:** 1984 mm (H) x 603 mm (W)

**LIGHTBOX:** 245 mm (H) x 1325 mm (W)



PART NUMBER	DESCRIPTION
AQGDMF2DW	AQ GLASS DOOR MERCAHANDISER WHITE FRIDGE —2 DOOR
AQGDMF2DB	AQ GLASS DOOR MERCAHANDISER BLACK FRIDGE —2 DOOR

OPTIONAL EXTRAS
Extra care warranty
Additional shelves

**SPECIFICATIONS**

	TEMP RANGE	REFRIGERANT	WIDTH (mm)	DEPTH (mm)	HEIGHT (mm)	GROSS CAPACITY (L)	POWER REQ.
AQGDMF2DW	+2°C to +8°C	R134a	1330	710	2079	1075	10 AMP
AQGDMF2DB	+2°C to +8°C	R134a	1330	710	2079	1075	10 AMP