

0 1 2 3 4 5 6 7 8

A

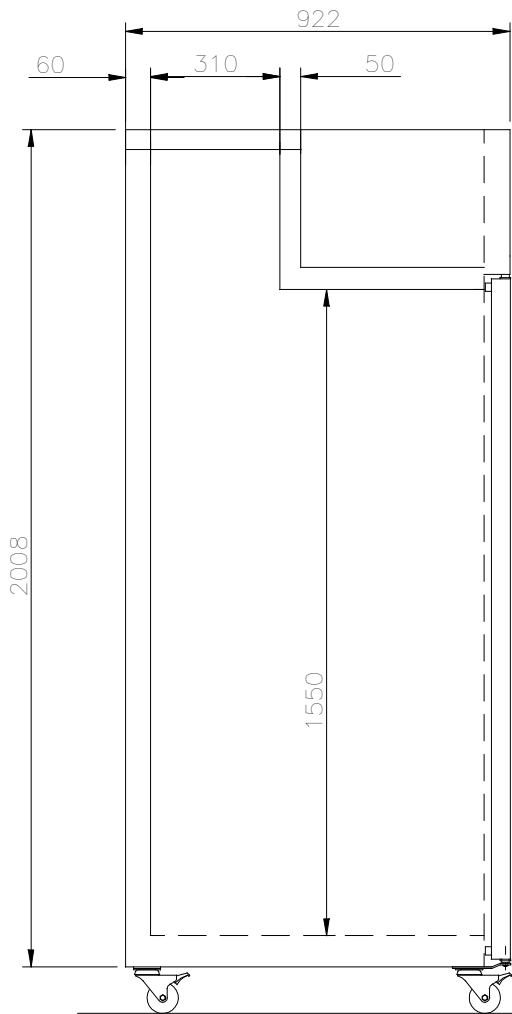
B

C

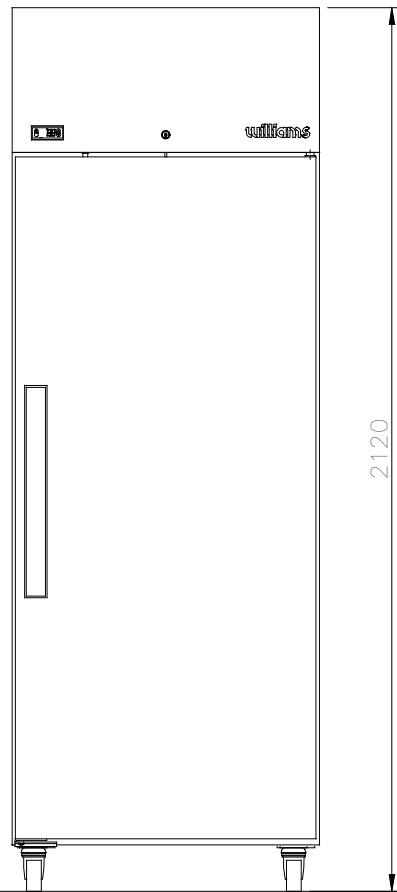
D

E

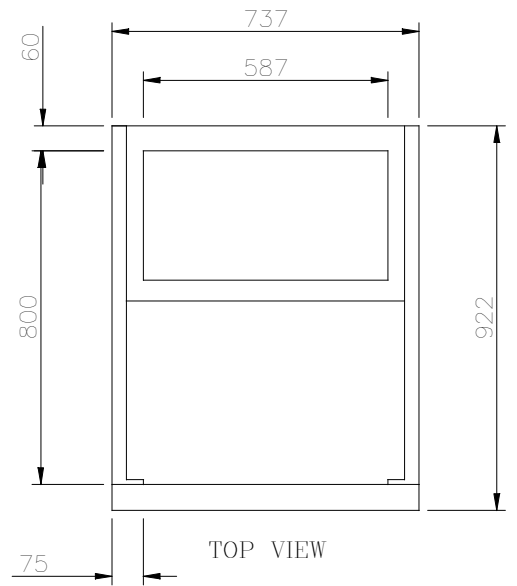
F



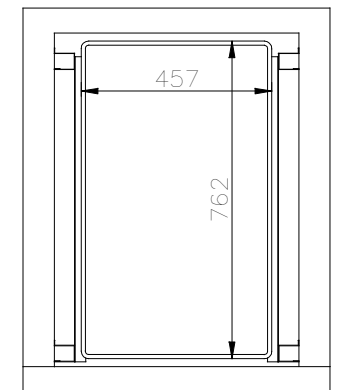
SIDE VIEW



FRONT VIEW



TOP VIEW



TOP INTERNAL VIEW

VOLUME CAPACITY : 730 Litres

williams

REFRIGERATION
AUST. PTY. LTD.

UNLESS OTHERWISE STATED ALL DIMENSIONS IN MILLIMETERS.
GENERAL TOLERANCES:
UP TO 6 0.1
7 TO 30 0.15
31 TO 120 0.2
121 TO 315 0.3
316 TO 1000 0.4
1000 & OVER 0.5
LINEAR 0.1
ANGULAR 0.1

DRAWN: WRA GS
DATE: 21 07 08
CHECKED:
DRAFTING STANDARD AS 1100



MATERIAL: --
MODEL: CRYSTAL C1T
TITLE: CRYSTAL
1 SOLID DOOR

STOCK No. --
DWG: C1T

REV	DESCRIPTION	DATE	BY